



# P. Princess

EDIZIONE 2008

- USE AND MAINTENANCE  
USO E MANUTENZIONE  
EMPLOI ET MAINTENANCE  
GEBRAUCHS- UND WARTUNGSANLEITUNG  
USO Y MANTENIMIENTO  
USO E MANUTENÇÃO  
ΧΡΗΣΗ ΚΑΙ ΣΥΝΤΗΡΗΣΗ
- SPARE PARTS BOOKLET  
CATALOGO PARTI DI RICAMBIO  
PIÈCES DETACHÉES  
EINZELTEIL VERZEICHNIS  
CATALOGO PIEZAS DE REPUESTO  
CATALOGO PEÇAS DE REPOSIÇÃO  
ΚΑΤΑΛΟΓΟΣ ΑΝΤΑΔΔΑΚΤΙΚΩΝ

INDEX / INDICE / CONTENU / INHALT / INDICE / ΠΙΕΡΙΞΟΜΕΝΑ

GB	
Safety rules .....	p. 2
<i>Grillo Princess</i> cultivator .....	p. 6
Identification and after-sales service .....	p. 7
Technical data .....	p. 7
Instructions for use .....	p. 8
Description of the controls .....	p. 28
Noise level - vibration level .....	p. 33
I	
Norme antinfortunistiche .....	p. 2
Motozappa <i>Grillo Princess</i> .....	p. 9
Identificazione e assistenza .....	p. 10
Dati tecnici .....	p. 10
Istruzioni per l'uso .....	p. 11
Descrizione dei comandi .....	p. 28
Rumorosità - vibrazioni .....	p. 33
F	
Règles de sécurité générale .....	p. 2
Motofraise <i>Grillo Princess</i> .....	p. 12
Identification et assistance .....	p. 13
Caractéristiques techniques .....	p. 13
Mode d'emploi .....	p. 14
Description des commandes .....	p. 28
Bruit - vibrations .....	p. 33
D	
Sicherheitsvorschriften .....	p. 2
Motorhacke <i>Grillo Princess</i> .....	p. 15
Identifikation der Maschine und Kundendienst .....	p. 16
Technische Daten .....	p. 16
Betriebsanleitung .....	p. 17
Beschreibung der Steuerungen .....	p. 28
Geräuschemission - Vibrationen .....	p. 33
E	
Normas de seguridad .....	p. 2
Motoazada <i>Grillo Princess</i> .....	p. 18
Identificación y asistencia .....	p. 19
Datos técnicos .....	p. 19
Instrucciones de uso .....	p. 20
Descripción mandos .....	p. 28
Niveles del ruido - vibración .....	p. 33
P	
Normas de precaução contra accidentes .....	p. 2
Enxada mecânica <i>Grillo Princess</i> .....	p. 21
Identificação e assistência .....	p. 22
Dados técnicos .....	p. 22
Instruções para o uso .....	p. 23
Descrição dos comandos .....	p. 28
Nível de ruído - nível de vibrações .....	p. 33
GR	
Κανονισμοί πρόληψης ατυχημάτων .....	σελ. 2
Μοτοσκαπτικό <i>Grillo Princess</i> .....	σελ. 24
Αναγνώριση και σερβίσις .....	σελ. 25
Τεχνικά χαρακτηριστικά .....	σελ. 25
Οδηγίες χρήσης .....	σελ. 26
Περιγραφή χειριστηρίων .....	σελ. 28
Θόρυβος - κραδασμοί .....	σελ. 33

**HOW TO ORDER SPARE PARTS:****Always to specify:**

- The model of machine.
- Serial number of machine.
- Split-up drawing and code number of the requested part.

**COME ORDINARE I RICAMBI:****Si raccomanda di indicare sempre:**

- Tipo di macchina.
- Numero di matricola della macchina.
- Tavola e numero di codice del pezzo.

**COMMENT COMMANDER LES PIÈCES DE RECHANGE****On recommande d'indiquer toujours:**

- Type de machine.
- Numéro de serie de la machine.
- Numéro de la table et du code de la pièce demandée.

**ΠΩΣΝΑ ΠΑΡΑΓΓΕΙΛΕΤΕ ΤΑ ΑΝΤΑΛΛΑΚΤΙΚΑ :****Συνιστάται να αναφέρετε πάντα:**

- Τον τύπο του μηχανήματος.
- Τον αριθμό μητρώου του μηχανήματος.
- Τον πίνακα και τον κωδικό αριθμό του ανταλλακτικού.

**ERSATZTEILEBESTELLUNG:****Bitte immer angeben:**

- Maschinentyp/Modell.
- Seriennummer der Maschine.
- Tafel und Artikelnummer des Ersatzteils.

**CÓMO PEDIR LOS RECAMBIOS:****Se recomienda indicar siempre:**

- Tipo de máquina.
- Número de matrícula de la máquina.
- Ilustración y número de código de la pieza.

**COMO PEDIR AS PEÇAS SOBRESSALENTES:****É recomendável indicar sempre:**

- Tipo de máquina.
- Número de matrícula da máquina.
- Quadro e número de código da peça.

**PRINCESS**

- This parts catalogue is valid from serial number 295001.
- Questo catalogo è valido dalla matricola 295001 in poi.
- Ce catalogue des pièces de rechange est valable à partir du numéro de série 295001.
- Dieser Ersatzteilkatalog gilt für Seriennummer 295001.
- Este catálogo de peças sobressalentes é válido a partir do número de matrícula 295001.
- Este catálogo de recambios es válido por la matrícula 295001.
- Ο παρόν κατάλογος ανταλλακτικών ισχύει από τον αριθμό μητρώου 295001.

- GRILLO S.p.A. reserves the right to supply, the most recent spares whenever the spares ordered have been modified, regardless of any price variations.
- La GRILLO S.p.A. si riserva il diritto di fornire i particolari più aggiornati, indipendentemente da eventuali variazioni di prezzo, qualora il particolare ordinato sia stato modificato.
- La Société GRILLO S.p.A. se réserve le droit de fournir les tous-derniers modèles quand il y a eu des modifications, même si cela entraîne des variations de prix.
- Die Firma GRILLO S.p.A. behält sich das Recht vor, unabhängig von eventuellen Preisänderungen immer die neuen Teile zu liefern, wenn die bestellten Teile aktualisiert wurden.
- GRILLO S.p.A. se reserva el derecho de suministrar las piezas más actualizadas, independientemente de posibles variaciones de precio, en caso de que la pieza solicitada haya sido modificada.
- A GRILLO S.p.A. reserva-se o direito de fornecer as peças mais atualizadas, independentemente de eventuais variações de preço, se a peça pedida tiver sido modificada.
- Π GRILLO S.p.A. Απιφυλάσσει του δικαιώματος να χορηγήσει τα πιο πρόσφατα εξαρτήματα, ανεξάρτητα από τυχόν αλλαγές στην τιμή, σε περίπτωση που το εξάρτημα που παραγγείλατε έχει τροποποιηθεί.



*This symbol alongside messages and instructions in this manual and on the machine indicates a potential danger; care must be taken to ensure your own safety and that of anyone within the machine's range of operation.*

Sulla macchina ed all'interno di questo manuale sono presenti scritte ed indicazioni accompagnate da questo segnale, stanno ad indicare la presenza di un potenziale pericolo per cui è opportuno utilizzare una particolare prudenza per la propria sicurezza e di quanti si possono trovare nel raggio di azione della macchina.

Sur la machine et sur les pages de ce Manuel se trouvent des mises en garde et des indications accompagnées de ce signal; elles indiquent la présence d'un danger potentiel qui explique la nécessité d'être particulièrement prudent pour sauvegarder sa propre sécurité et la sécurité de tous ceux qui peuvent se trouver dans le rayon d'action de la machine.

*Auf der Maschine und in diesem Handbuch finden Sie Beschriftungen und Hinweise mit dem hier abgebildeten Symbol. Sie weisen auf eine potentielle Gefahr hin, und Sie sollten besonders gefahrenbewußt vorgehen, um unnötige Risiken für sich selber und andere Personen, die sich im Aktionsbereich der Maschine befinden, auszuschließen.*

En la máquina y dentro de este manual hay leyendas e indicaciones acompañadas por esta señal que indican la presencia de un peligro potencial o la necesidad de adoptar una prudencia especial para la seguridad propia y de los que se puedan encontrar en el radio de acción de la máquina.

*Na máquina e neste manual, estão presentes escritas e indicações acompanhadas por este sinal. Estas chamam a atenção do Operador para a presença de um risco potencial. Portanto, recomenda-se a máxima atenção para garantir a própria segurança e a de terceiros, que possam estar no raio de acção da máquina.*

Πάνω στο μηχάνημα και στο εσωτερικό του παρόντος εγχειριδίου, υπάρχουν μηνύματα και οδηγίες δίπλα στο σήμα αυτό που επισημαίνουν την ύπαρξη ενός πιθανού κινδύνου. Για το λόγο αυτό είναι ενδεδειγμένο να δώσετε μεγάλη προσοχή για την προσωπική σας ασφάλεια και όσων μπορεί να βρεθούν στην ακτίνα δράσης του μηχανήματος.

## **IMPORTANT!!**

This machine has been manufactured to EEC standards and carries the **CE** mark.

### *GENERAL SAFETY RULES*

## **ATTENZIONE!!**

Questa macchina è costruita secondo le normative CEE ed è certificata col marchio **CE**  
**NORME DI CARATTERE GENERALE SULLA SICUREZZA**

## **ATTENTION!!**

Cette machine est construite selon les directives européennes CEE; elle est certifiée par la marque **CE**  
**RÈGLES DE CARACTERE GÉNÉRAL SUR LA SECURITÉ**

## **ACHTUNG!!**

Diese Maschine entspricht den europäischen Richtlinien, und ist mit dem **CE**-Zeichen ausgezeichnet.

### *ALLGEMEINE SICHERHEITSHINWEISE*

## **¡¡ATENCIÓN!!**

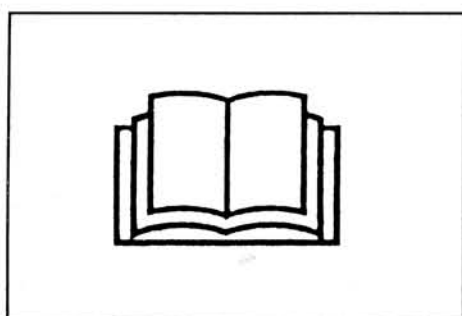
Esta máquina se ha fabricado según las normas CEE y está certificada con la marca **CE**  
**NORMAS GENERALES PARA LA SEGURIDAD**

## **ATENÇÃO!!**

Esta máquina foi construída em conformidade com as normas CEE e está cerfiticada com a marca **CE**  
**NORMAS DE CARÁCTER GERAL ACERCA DA SEGURANÇA**

## **ΠΡΟΣΟΧΗ!**

ΑΥΤΟ ΤΟ ΜΗΧΑΝΗΜΑ ΕΙΝΑΙ ΚΑΤΑΣΚΕΥΑΣΜΕΝΟ ΣΥΜΦΩΝΑ ΜΕ ΤΑ ΠΡΟΤΥΠΑ ΤΗΣ ΕΟΚ ΚΑΙ ΕΙΝΑΙ ΠΙΣΤΟΠΟΙΗΜΕΝΟ ΜΕ ΤΟ ΣΗΜΑ **CE**  
ΠΡΟΤΥΠΑ ΓΕΝΙΚΟΥ ΧΑΡΑΚΤΗΡΑ ΠΑΝΩ ΣΤΗΝ ΑΣΦΑΛΕΙΑ



*Read the manual before starting up and operating the machine.*

*Leggere questo manuale prima di avviare e mettere in movimento la macchina.*

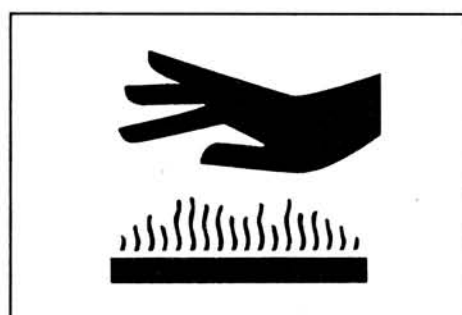
*Lire ce livret avec attention avant de démarrer le moteur et de faire partir la machine.*

*Vor der Inbetriebnahme der Maschine dieses Handbuch sorgfältig durchlesen.*

*Leer este manual, antes de encender y poner en movimiento la maquina.*

*Leia atentamente este manual antes de accionar e pôr a máquina em movimento.*

*Διαβάστε το παρόν εγχειρίδιο πριν βάλετε εμπρός και λειτουργήσετε το μηχάνημα.*



*Take special care not to touch hot parts of the engine.*

*Prestate particolare attenzione a non entrare in contatto con parti surriscaldate del motore.*

*Veiller tout particulièrement à ne pas toucher des éléments surchauffés du moteur.*

*Achtung - keine heißen Motorteile berühren!*

*Obrar con cuidado para no tocar partes recalentadas del motor.*

*Tome muito cuidado para não entrar em contacto com as partes aquecidas do motor.*

*Προσέξτε ώστε να μην έρθετε σε επαφή με τα καυτά τμήματα του κινητήρα.*



*Handle fuel with care, it is highly flammable: Do not refuel machine while smoking, when machine is near an open flame or sparks, or when engine is running. Stop engine.*

Maneggiare il carburante con cura, è altamente infiammabile; non fate rifornimento mentre fumate, o vicino a fiamme o scintille, o quando il motore è acceso.

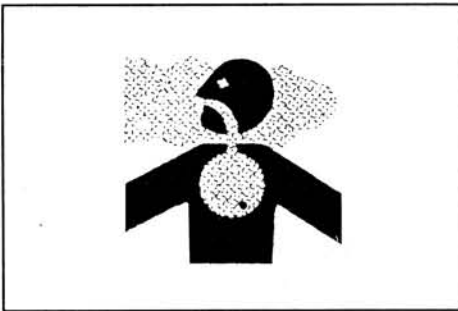
Manier avec soin l'essence c'est très inflammable ne pas remplir le réservoir si vous êtes en train de fumer ou pendant que la machine est près du feu ou d'étincelles ou encore pendant que la machine travaille. Arrêter le moteur.

*Treibstoff vorsichtig handeln, da er sehr entzündbar ist: nicht rauchen beim tanken, oder wenn die Maschinen neben Flammen und Funken ist, oder wenn der Motor läuft. Immer den Motor abschalten.*

Manejar el combustible con cuidado porque es sumamente inflamable; no repostar mientras se fuma o cerca de llamas o chispas, o cuando el motor está encendido.

*Manuseie o carburante com cuidado, pois este é altamente inflamável; não fume durante o abastecimento da máquina ou enquanto o motor estiver ligado, não o aproximando de chamas ou de faíscas.*

Να χειρίζεστε τα καύσιμα με προσοχή, είναι άκρως εύφλεκτα: μην κάνετε ανεφοδιασμό ενώ καπνίζετε, ή κοντά σε φλόγες ή σπινθήρες, ή με τον κινητήρα αναμμένο.



*Engine exhaust fumes can cause sickness or death. If it is necessary to run an engine in an enclosed area, use an exhaust pipe extension to remove the fumes. Always try to work in a well ventilated area.*

I gas di scarico possono causare malanni o morte. Se è necessario mettere in moto un motore in uno spazio chiuso, usare una prolunga tubo di scarico per far uscire il fumo. Lavorare in una zona ben ventilata.

L'exhalation des gaz d'échappement peut causer une intoxication ou provoquer la mort. S'il est vraiment nécessaire d'activer le moteur à l'intérieur, appliquer au tuyau d'échappement un autre tuyau extensible pour permettre la sortie des gaz. Travailler de préférence en plein air.

*Auspuffgase können Übelkeit, Ohnmacht oder sogar den Tod zur Folge haben. Muß der Motor in einem geschlossenen Raum laufen gelassen werden, sind die Abgase über eine Auspuffverlängerung abzuleiten. Sofern möglich, immer im Freien oder an einem gut belüfteten Ort arbeiten.*

Los gases de escape pueden provocar enfermedades o muerte. De ser necesario poner en marcha un motor en un espacio cerrado, usar una prolongación del tubo de escape para que el humo salga al exterior. Trabajar en una zona bien ventilada.

*Os gases de escape podem causar danos ou morte. Caso seja necessário fazer com que o motor funcione num espaço fechado, utilize uma extensão para o tubo de escape para que os fumos sejam expulsos para o exterior. Trabalhe numa área bem ventilada.*

Τα καυσαερία μπορούν να προκαλέσουν λιποθυμίες ή και θάνατο. Αν πρέπει οπωσδήποτε να βάλετε σε λειτουργία έναν κινητήρα μέσα σ' έναν κλειστό χώρο, χρησιμοποιείστε μία προέκταση για την εξάτμιση, για την αποβολή των καυσαερίων. Εργάζεστε σε



*Caution! Never touch moving pulleys or belts. They can be very dangerous. Never carry out maintenance with engine running.*

Attenzione! Non toccare mai pulegge o cinghie in movimento, creano gravi danni alla persona. Non fare manutenzione col motore in moto.

Attention! Ne jamais-toucher les poulies ou les courroies en mouvement; elles peuvent provoquer des accidents aux personnes. Ne pas effectuer l'entretien quand le moteur est en marche.

*Vorsicht! Keine laufenden Riemenscheiben oder Treibriemen berühren. Verletzungsgefahr! Niemals Wartungsarbeiten bei laufendem Motor durchführen.*

¡Atención! No tocar jamás poleas o correas en movimiento, porque pueden crear graves daños a la persona. No efectuar el mantenimiento con el motor en marcha.

*Atenção! Nunca toque nas polias ou correias em movimento devido ao alto risco de ferimentos. Nunca faça a manutenção da máquina com o motor ligado.*

Προσοχή! Ποτέ μην ακουμπάτε τροχαλίες ή μιάντες ενώ περιστρέφονται, μπορούν να προξενήσουν σοβαρά τραύματα. Η συντήρηση δεν πρέπει να γίνεται με τον κινητήρα αναμμένο.





*Warning! Turning gears, keep your hands and feet away.  
Do not clean the attachment when the engine is running.*

*Attenzione! Organo in rotazione, tenere lontano piedi e mani.  
Non pulire l'attrezzo col motore in moto.*

*Attention! Organe en rotation, ne pas approcher mains et pieds.  
Ne pas nettoyer l'outil quand le moteur est en marche.*

*Achtung! Rotierende Klinge, Hände und Füße fernhalten.  
Niemals bei laufendem Motor reinigen.*

*¡Atención! Órgano en rotación, mantener lejos los pies y las manos.  
No limpiar la herramienta con el motor en marcha.*

*Atenção! Órgão em rotação. Mantenha as mãos e os pés afastados.  
Não limpe o equipamento com o motor em movimento.*

**ΠΡΟΣΟΧΗ!** Περιοστρεφόμενο όργανο, κρατάτε μακριά πόδια και χέρια.  
Μην καθαρίζετε το εργαλείο με τον κινητήρα αναμμένο.

# "GRILLO PRINCESS" CULTIVATOR

Dear Customer,

Thank you for choosing a Grillo cultivator. We are sure that our machine's performance will satisfy you in all respects.

For the best results and maintenance over time, read this handbook carefully and follow the instructions to the letter; this will also avoid unnecessary expense.

Keep this handbook with the machine at all times.

## **CAUTION! Read this carefully before starting the engine**

### **The following precautions are important to avoid injury!**

#### **ACCIDENT PREVENTION RULES**

Taking care is the best way of preventing accidents!

Read these warning carefully before starting work.

Improper use of the cultivator and its equipment may be dangerous; to reduce such risks, always adopt all the precautions listed below.

- 1) Read this handbook right through before starting up the cultivator or putting it in motion.
- 2) Pay special attentions to the warnings and safety labels on the machine.
- 3) When running, the cultivator head is extremely dangerous. **Never place hands or feet under it.**
- 4) Before allowing other people to use the cultivator, instruct them about the safety regulations and how to use the machine.
- 5) Before starting up the cultivator check that there is no-one in the vicinity, particularly no children.
- 6) Never use the cultivator when tired or after drinking alcoholic beverages.
- 7) Check the terrain before tilling, ensuring that there are no stones, sticks or foreign bodies which might damage the machine or be flung away, creating a serious hazard.
- 8) **Wear suitable working clothes, gloves, boots and goggles.**
- 9) Never use the cultivator on steep slopes as it may tip over.
- 10) Never allow anyone under the age of 16 to use the machine.
- 11) Never reverse with the engine at high rpm.
- 12) It is dangerous to operate the levers sharply with the engine at high rpm.
- 13) Never keep the engine running indoors; you may breathe in poisonous fumes.
- 14) Always switch the engine off before filling up with fuel. Keep away from sparks or flames and do not smoke!
- 15) Take care not to spill fuel, and after filling the tank wipe all spills off the cultivator before starting the engine.
- 16) **Never tamper with or disactivate the safety devices.**
- 17) **Never make any types of adjustment or do any cleaning with the engine running.**
- 18) **Never have anyone check the machine while you are in the driving position with the engine running.**
- 19) The user is always responsible for all damage or injury to third parties.
- 20) In case of any improper use the warranty becomes null and void and the manufacturer declines all responsibility.
- 21) Misshapen or damaged hoe blades must be replaced, and never repaired.
- 22) Always use original Grillo spare parts.
- 23) Before starting any work with the machine, check that all its accident prevention systems are in perfect working order. Users are strictly forbidden to disable or tamper with them.
- 24) Before starting work, check that the nuts and bolts securing the cultivator head and hoe blades are perfectly tight.
- 25) All protective equipment (housings, mudguards etc.) must be kept in place during cultivation.
- 26) Never clean the cultivator head with the engine running.
- 27) Never use the machine with bare feet.
- 28) Never leave the machine running for too long with the engine running; the belt might overheat.



## IDENTIFICATION AND AFTER-SALES SERVICE

### IDENTIFICATION

The cultivator chassis carries a nameplate with the machine's serial number. This number must be mentioned whenever you request after-sales service or order spare parts.

### TECHNICAL DATA

- 1. Single-gear model:** BRIGGS & STRATTON 5,5 HP - TECUMSEH GEOTECH 50T - HONDA GC160-GX160.
- 2. Model with 1 forward + 1 reverse gear:** BRIGGS & STRATTON 5,5 HP - TECUMSEH GEOTECH 50T - HONDA GC160-GX160 - ROBIN / SUBARU EX 17.
- 3. Model PRINCESS III with 2 forward + 1 reverse gear:** BRIGGS & STRATTON 5,5 HP - TECUMSEH GEOTECH 50T - HONDA GC160-GX160.

**Start:** Pull starter with automatic rewind.

**Final drive:** sprocket and chain.

**Clutch:** with control lever on handlebar, acting on belt stretcher.

**Handlebar:** with vertical and lateral adjustment.

**Cultivator head housing:** in press-formed plate sections, secured by screws.

**Cultivator head:** Ø 330 with six hoes plus disk width 80 cm.

**Travel wheel:** at front, supplied as standard.

**Safety devices:** Machine cutout on handlebar release, mudguards, handlebars and pulley-guards as standard; exhaust guard.

**Weight:** 48 kg; PRINCESS III 62 kg.

**Accessories:** Combined lister. This implement is designed to form shallow trenches for sowing or irrigation. It is mounted instead of the foot and fixed with the pin - ref. 3. Use in combination with the cultivator head for excellent results even on hard ground.

### AFTER-SALES SERVICE

This handbook provides instructions for use of the cultivator and for correct basic servicing which the user can carry out himself.

For all procedures not described in this handbook, contact your local dealer.

### SPARE PARTS

Always use original spare parts, as they are the only ones to offer complete safety and interchangeability. Always state the serial number when ordering.

For engine parts, refer to the specific handbook.

### WARRANTY

The warranty conditions are as indicated on the specific warranty card.

The engine warranty conditions are those of its manufacturer.

### WE ADVISE YOU TO KEEP THE FOLLOWING SPARE PARTS TO HAND

- 1 set of belts
- 1 engine air filter
- 1 throttle lever

### ORDERING SPARE PARTS

Always state the machine serial number and the code number of the part to be replaced.

Contact your local dealer or our own stores. Our address is:

GRILLO S.p.A.

Via Cervese 1701 - 47023 CESENA (FC)

Tel. 0547/633111 - Fax 0547/632011

E-mail: [grillo@grillospa.it](mailto:grillo@grillospa.it) - [Http://www.grillospa.it](http://www.grillospa.it)

# INSTRUCTIONS FOR USE

## PUTTING THE MACHINE INTO SERVICE:

- 1) make sure the machine is complete and that has not been damaged in transit.
- 2) Fix the 2 tiller elements (fig. 5).
- 3) Fit the travel wheel (no 6, fig. 2) using the spring and the washer.
- 4) Fix the drag stake (no 3, fig. 2).
- 5) Fit the fenders (fig. 2).
- 6) Fill engine oil to level (refer to relevant engine handbook).
- 7) Fill the tank with fuel.

## BEFORE STARTING THE ENGINE

- Fill the tank with fuel
- Check that the air filter is clean
- Check the engine oil level, with the machine horizontal

## STARTING THE ENGINE

- Open the fuel tap
- Turn the throttle lever to starter position. If the engine is cold, turn the starter lever to CHOKE.
- Start the engine by pulling the pull-start handle hard.
- Once the engine is running, return the starter lever to RUN and the throttle lever almost to the minimum setting.

## CAUTION:

**BEFORE ANY OPERATIONS ON THE ENGINE, REFER TO THE SPECIFIC HANDBOOK.**

## STARTING WORK

- Adjust the height position of the handlebar to obtain the optimum working position, using the relative knob 2 - FIG. 1 (FIG. 2 PRINCESS III).
- Adjust the working depth by lowering or raising the rear foot 3 - FIG. 1 (FIG. 2 PRINCESS III).
- Pull the transfer wheel support to the side and raise to stowed position 7 - FIG. 1 (FIG. 2 PRINCESS III).
- Accelerate the engine 9 - FIG. 1 (FIG. 2 PRINCESS III).

In the 1+1 / 2+1 models pull the RM lever to engage reverse gear. (Safety device: if it is released even accidentally, the machine stops).

## END OF WORK

- To stop the machine, release the travel lever.
- Switch off the engine by moving the throttle lever to ZERO.
- Close the petrol tap where fitted. See engine handbook.

## SERVICING

The cultivator is constructed to require very little servicing, but the following instructions should be followed to keep it in perfect working order:

- Follow all the instructions in the engine handbook. It is essential to check the oil level every 4 working hours and change it about every 50 hours. Refer to the enclosed engine handbook for the oil type.
- Adjust the belt tension using the register on the lever. If this does not give sufficient adjustment, back off the 4 engine fixing screws and move the engine itself slightly forward, then retighten the screws.
- Clean the air filter often.
- Oil the throttle and clutch cables.

# MOTAZAPPA "GRILLO PRINCESS"

Gentile Cliente,

nel ringraziarLa per la fiducia e la preferenza accordata alla nostra motozappa, confidiamo che l'uso di questa sua nuova macchina risponda pienamente alle sue esigenze.

Per l'impiego ottimale e per la sua manutenzione nel tempo, la preghiamo di leggere attentamente e seguire scrupolosamente le indicazioni di questo libretto; ciò le consentirà di ottenere i massimi risultati e salvaguardare la sua spesa.

La preghiamo di conservare questo libretto, che dovrà sempre accompagnare la macchina.

**ATTENZIONE! Prima di avviare il motore leggere attentamente.**

**Le seguenti avvertenze sono importanti per l'incolumità!**

## NORME ANTINFORTUNISTICHE

La prudenza è l'arma principale nella prevenzione degli incidenti!

La preghiamo vivamente di leggere con attenzione le seguenti avvertenze, prima ancora di iniziare il lavoro.

L'uso improprio della motozappa e il suo equipaggiamento può risultare dannoso; per ridurre queste possibilità osservare le precauzioni necessarie di seguito riportate:

- 1) Leggere questo manuale interamente, prima di accendere e mettere in movimento la motozappa.
- 2) Dare particolare attenzione alle ammonizioni e alle etichette di sicurezza attorno alla macchina.
- 3) La rotazione della fresa è altamente pericolosa, **non mettere mai le mani o i piedi sotto alla fresa.**
- 4) Prima di fare lavorare con la motozappa altre persone bisogna metterle al corrente delle norme di sicurezza e di come si usa la macchina.
- 5) Prima di accendere la motozappa verificare che non ci siano persone intorno; specialmente bambini.
- 6) Non usare la motozappa quando si è affaticati e non bere alcolici.
- 7) Controllare il terreno prima di procedere alla fresatura, che non vi siano sassi, bastoni o corpi estranei, che potrebbero danneggiare la macchina o essere scagliati lontano, e quindi molto pericolosi.
- 8) **Prima di iniziare il lavoro, indossare indumenti appropriati da lavoro, guanti, scarponi, occhiali.**
- 9) Non usare la motozappa su forti pendenze, si potrebbe ribaltare.
- 10) Non fare lavorare ragazzi troppo giovani; è vietato l'uso ai minori di 16 anni.
- 11) Non fare retromarcia col motore accelerato.
- 12) È pericoloso azionare le leve bruscamente, col motore a massimo regime.
- 13) Per evitare il pericolo di esalazioni velenose, non adoperare il motore acceso in un locale chiuso.
- 14) Spegnerne sempre il motore prima di fare rifornimento di combustibile, stare lontano da scintille o fiamme, non fumare!
- 15) Evitare fuoriuscite di combustibile e dopo aver riempito il serbatoio pulire ogni fuoriuscita sulla motozappa prima di avviare il motore.
- 16) **Non manomettere o disattivare i dispositivi di sicurezza.**
- 17) **Non fare nessun tipo di regolazione o pulizia col motore in moto.**
- 18) **Non fare controllare la macchina da nessuno mentre siete alla guida col motore in moto.**
- 19) L'utilizzatore è sempre responsabile dei danni arrecati a terzi.
- 20) Ogni utilizzo improprio comporta il decadimento della garanzia ed il declino di ogni responsabilità del costruttore.
- 21) Le zappe deformate o danneggiate devono essere sempre sostituite, mai riparate.
- 22) Usare sempre ricambi originali Grillo.
- 23) Prima di cominciare qualsiasi lavoro con la macchina, verificare che tutti i sistemi antinfortunistici, di cui essa è dotata, siano perfettamente funzionanti. È severamente vietato escluderli o manometterli.
- 24) Prima di iniziare il lavoro, controllare che le viti e i dadi di bloccaggio della fresa e delle zappette siano perfettamente serrati.
- 25) L'attrezzatura protettiva (cofani, parafanghi, ecc.), va assolutamente mantenuta durante i lavori di zappatura.

- 26) Non pulire la fresa con il motore acceso.
- 27) Non utilizzare la macchina a piedi nudi.
- 28) Non lasciare per troppo tempo la macchina in sosta con il motore in moto, si potrebbe surriscaldare la cinghia.

## IDENTIFICAZIONE E ASSISTENZA

### IDENTIFICAZIONE

La motozappa è fornita di una targhetta posta sul telaio con il numero di matricola della macchina. Questo numero è indispensabile per ogni richiesta di intervento tecnico e per l'ordinazione dei ricambi.

### DATI TECNICI

- 1 - Mod. monomarcia:** motori BRIGGS & STRATTON 5,5 HP - TECUMSEH GEOTECH 50T - HONDA GC160-GX160.
- 2 - Mod. 1 avanti + 1 RM:** motore BRIGGS & STRATTON 5,5 HP - TECUMSEH GEOTECH 50T - HONDA GC160-GX160 - ROBIN / SUBARU EX 17.
- 3 - Mod. PRINCESS III - 2 avanti + 1 RM:** motore BRIGGS & STRATTON 5,5 HP - TECUMSEH GEOTECH 50T - HONDA GC160-GX160.

**Avviamento:** a strappo con autoavvolgente.

**Trasmissione finale:** a pignone e catena.

**Frizione:** con comando a leva sulla stegola agente sul tendicinghia.

**Stegola:** regolabile in altezza e lateralmente.

**Carter fresa:** in lamiera stampata a gusci avvitati.

**Fresa:** Ø 330 a sei stelle più piattello larghezza cm. 80.

**Ruotino trasferimento:** anteriore di serie.

**Dispositivi di sicurezza:** abbandonando le stegole la macchina si arresta, parafanghi, stegole e copripuleggia norma; protezione marmitta.

**Peso:** kg. 48 C.A, PRINCESS III kg. 62.

**Accessori:** Assolcatore combinato. Questo attrezzo è stato studiato per eseguire solchi di semina o di irrigazione. Si applica al posto dello sperone fissato con lo spinotto - rif. 3. Lavorando in combinata con la fresa si ottiene un ottimo risultato anche su terreni duri.

### SERVIZIO ASSISTENZA

Questo manuale fornisce le indicazioni per l'uso della motozappa e per una corretta manutenzione di base, eseguibile dall'utilizzatore.

Per gli interventi non descritti in questo libretto, interpellare il Rivenditore di Zona.

### RICAMBI

Si raccomanda di impiegare esclusivamente ricambi originali, gli unici che offrono caratteristiche di sicurezza e intercambiabilità.

Ogni richiesta deve essere corredata del numero di matricola.

Per i ricambi del motore, attenersi a quanto indicato nel libretto specifico.

### GARANZIA

La garanzia è fornita nei modi e nei limiti indicati nella apposita cartolina.

Per quanto riguarda il motore, valgono le condizioni previste dai rispettivi Produttori.

### RICAMBI CHE SI CONSIGLIANO DI TENERE DI SCORTA

N. 1 serie cinghie

N. 1 filtro aria motore

N. 1 manettino acceleratore.

### COME ORDINARE I RICAMBI

Indicare sempre il numero di matricola della macchina e il numero di codice del pezzo da sostituire.

Rivolgersi ai nostri centri ricambi presenti in ogni provincia; oppure presso le nostre officine, il nostro indirizzo è:

GRILLO S.p.A.

Via Cervese 1701 - 47023 CESENA (FC)

Tel. 0547/633111 - Fax 0547/632011 - E-mail: grillo@grillospa.it - Http://www.grillospa.it

## ISTRUZIONI PER L'USO

### MESSA IN OPERA DELLA MACCHINA:

- 1) Verificare l'integrità della macchina che non abbia subito danni durante il trasporto.
- 2) Montare i due gruppi fresa (fig. 5).
- 3) Montare il ruotino di trasferimento n° 6, fig. 2 inserendo la molla e la rondella.
- 4) Montare lo sperone n° 3, fig. 2.
- 5) Montare i parafanghi fig. 2
- 6) Inserire l'olio motore (vedi apposito libretto)
- 7) Riempire il serbatoio di carburante.

### PRIMA DELL'AVVIAMENTO DEL MOTORE

- Riempire il serbatoio di carburante.
- Controllare che il filtro aria sia pulito.
- Controllare il livello olio motore, con la macchina in posizione orizzontale.

### AVVIAMENTO DEL MOTORE

- Aprire il rubinetto della benzina.
- Portare la leva gas nella posizione starter. Se l'avviamento avviene a motore freddo portare la leva dello starter in posizione KHOKE.
- Avviare il motore tirando con forza la manopola dell'autoavvolgente.
- Avviato il motore, riportare la leva dello starter nella posizione RUN e la leva acceleratore quasi al minimo.

### AVVERTENZA:

**PER LE OPERAZIONI SUL MOTORE VEDI IL RELATIVO LIBRETTO.**

### INIZIO LAVORO

- Regolare in altezza il manubrio, per adattarlo alla migliore posizione di lavoro, agendo sul relativo pomello, N. 2 - FIG. 1 (FIG. 2 PRINCESS III).
- Regolare la profondità di lavoro, abbassando o sollevando lo sperone posteriore, N. 3 - FIG. 1 (FIG. 2 PRINCESS III).
- Tirare lateralmente il supporto ruotino di trasferimento e posizionarlo in alto, N. 7 - FIG. 1 (FIG. 2 PRINCESS III).
- Accelerare il motore, N. 9 - FIG. 1 (FIG. 2 PRINCESS III).
- Tirare la leva avanzamento, N. 1 - FIG. 1 (FIG. 2 PRINCESS III).

Nei modelli 1 + 1/2 + 1 tirare la leva RM per andare in retromarcia. (Dispositivo di sicurezza: al suo rilascio, anche accidentale, la macchina si arresta).

### FINE LAVORO

- Per fermare la macchina rilasciare la leva avanzamento.
- Spegnere il motore portando la leva acceleratore nella posizione ZERO.
- Chiudere il rubinetto della benzina dove esiste. Vedi libretto motore.

### MANUTENZIONE

La motozappa è costruita in modo da richiedere pochissima manutenzione; tuttavia per mantenere la macchina in perfetta efficienza è opportuno eseguire le seguenti operazioni:

- Attenersi scrupolosamente alle norme contenute nel libretto motore. È comunque indispensabile controllare il livello olio ogni 4 ore di lavoro e sostituirlo ogni 50 ore circa. Per il tipo di olio vedi libretto motore allegato.
- Regolare la tensione della cinghia agendo sul registro posto sulla leva; se non fosse sufficiente allentare le 4 viti fissaggio motore e spostare leggermente il motore stesso in avanti, quindi serrare nuovamente le viti.
- Pulire frequentemente il filtro aria.
- Oliare i cavetti dell'acceleratore e della frizione.

# MOTOFRAISE “GRILLO PRINCESS”.

Cher Client,

Nous vous remercions de la confiance et de la préférence que vous avez bien voulu accorder à notre motofraise et nous sommes certains que l'usage de cette nouvelle machine répondra entièrement à vos exigences.

Pour une utilisation optimale et pour sa maintenance au fil du temps, nous vous demandons de lire attentivement et de suivre scrupuleusement les indications contenues dans cette brochure. Cela vous permettra d'obtenir d'excellents résultats et de sauvegarder votre investissement.

Nous vous demandons de conserver ce Manuel qui doit toujours accompagner la machine.

**ATTENTION! Lire attentivement les instructions avant de mettre le moteur en marche. Les précautions suivantes sont importantes pour votre sécurité!**

## **NORMES POUR LA PREVENTION DES ACCIDENTS.**

La prudence est la meilleure arme pour la prévention des accidents!

Nous vous demandons de lire attentivement les normes suivantes avant la mise en marche de la machine.

L'utilisation inadéquate de la motofraise et son équipement peuvent être dangereux. Pour réduire ces éventualités de danger, veuillez respecter les précautions nécessaires ci-après:

- 1) Lire entièrement ce Manuel avant l'activation et la mise en mouvement de la motofraise.
- 2) Suivre avec une attention particulière les mises en garde et les étiquettes de sécurité placées sur la machine.
- 3) La rotation de la fraise est très dangereuse. **Ne jamais mettre les mains ou les pieds sous la motofraise.**
- 4) Avant de confier votre motofraise à d'autres personnes, il faut leur illustrer aussi bien les normes de sécurité que le mode d'emploi.
- 5) Avant de placer la motofraise sous tension, vérifier qu'il n'y ait personne aux alentours et, en particulier, qu'il n'y ait pas d'enfants.
- 6) Ne pas utiliser la motofraise en cas de fatigue et ne pas boire d'alcools.
- 7) Contrôler le terrain avant le fraisage pour qu'il n'y ait pas de cailloux, de morceaux de bois ou autres corps qui pourraient endommager la machine ou encore être projetés et se révéler très dangereux.
- 8) **Avant de commencer le travail, revêtir des vêtements de travail appropriés, des gants, des bottes et des lunettes.**
- 9) Ne pas utiliser la motofraise sur de fortes pentes: elle pourrait capoter.
- 10) Ne pas faire travailler les enfants trop jeunes: l'usage est interdit pour les mineurs de moins de 16 ans.
- 11) Ne pas faire marche arrière si le moteur est accéléré.
- 12) Il est dangereux d'actionner les leviers de guidage brusquement, avec le moteur à un régime maximal.
- 13) Pour éviter le danger d'exhalaisons toxiques, ne pas faire tourner le moteur dans un local fermé.
- 14) Eteindre toujours le moteur avant de faire le plein de combustible; rester loin des étincelles ou des flammes et ne pas fumer.
- 15) Eviter les fuites de combustible; après avoir rempli le réservoir, nettoyer soigneusement les fuites sur la motofraise avant d'activer le moteur.
- 16) **Ne pas modifier ou ne pas désactiver les dispositifs de sécurité.**
- 17) **N'effectuer aucun réglage ou nettoyage avec le moteur en marche.**
- 18) **Ne pas faire contrôler la machine lorsque le conducteur est au volant avec le moteur en marche.**
- 19) L'utilisateur est toujours responsable des dégâts occasionnés aux tiers.
- 20) Toute utilisation impropre annule la garantie et supprime la responsabilité du Constructeur.
- 21) Les fraises déformées ou endommagées doivent être toujours remplacées et jamais réparées.
- 22) Utiliser toujours des pièces de rechange Grillo d'origine.
- 23) Vérifier que tous les systèmes anti-accidents qui équipent la machine fonctionnent parfaitement bien avant de commencer un travail quelconque. Il est absolument interdit de les retirer ou de les transformer.



- 24) Contrôler, avant de commencer le travail, que les vis et les écrous de blocage de la fraise et des houes soient parfaitement serrés.
- 25) Ne jamais travailler sans l'équipement de protection (capots, pare-boue, etc..).
- 26) Ne jamais nettoyer la fraise avec le moteur activé.
- 27) Ne jamais utiliser la fraise sans être chaussés.
- 28) Ne jamais laisser longtemps la machine à l'arrêt avec le moteur en marche: il pourrait y avoir surchauffe de la courroie.

## **IDENTIFICATION ET ASSISTANCE.**

### **IDENTIFICATION.**

La motofraise est munie d'une plaque signalétique qui est placée sur le châssis et qui indique le numéro de matricule de la machine. Ce numéro est indispensable pour toute demande d'intervention technique et pour la commande de pièces de rechange.

### **CARACTERISTIQUES TECHNIQUES.**

1. **Modèle à une seule vitesse:** moteurs BRIGGS et STRATTON 5,5 HP - TECUMSEH GEOTECH 50T - HONDA GC160 - GX160.
2. **Modèle avec une marche avant et une marche arrière:** moteurs BRIGGS et STRATTON 5,5 HP - TECUMSEH GEOTECH 50T - HONDA GC160 - GX160 - ROBIN / SUBARU EX 17.
3. **Modèle PRINCESS III avec 2 marches avant et une marche arrière:** moteurs BRIGGS et STRATTON 5,5 HP - TECUMSEH GEOTECH 50T - HONDA GC160 - GX160.

**Démarrage:** par lanceur à auto-enroulement.

**Transmission finale:** à pignon et chaîne.

**Embrayage:** avec commande à levier sur le mancheron qui intervient sur le tendeur de courroie.

**Mancheron:** réglable en hauteur et latéralement.

**Carter de la fraise:** en tôle étampée à coquilles vissées.

**Fraise:** Ø 330 à six étoiles, plus plateau de 80 cm de large.

**Roue de transfert:** avant en standard.

**Dispositifs de sécurité:** si l'on quitte les mancherons, la machine s'arrête; pare-boue, mancherons et couvre-courroie selon normes; protection de la marmite.

**Poids:** 48 kg, PRINCESS III 62 kg.

**Accessoires:** buttoir en combiné. Cet outil a été étudié pour réaliser des sillons de semence ou d'irrigation. On l'applique à la place du mancheron fixé avec le goujon - réf. 3. Si l'accessoire est associé à la fraise, les résultats sont excellents, même sur des terrains durs.

### **SERVICE ASSISTANCE.**

Cette brochure fournit les indications pour l'usage de la motofraise et pour un entretien correct de base, réalisable par l'utilisateur.

Pour les interventions non décrites dans ce Manuel, contacter le Revendeur de Zone.

### **PIECES DE RECHANGE.**

Nous recommandons d'utiliser exclusivement des pièces détachées d'origine, les seules qui offrent des caractéristiques de sécurité et d'interchangeabilité.

Toutes les demandes doivent indiquer le numéro de matricule.

Pour les pièces de rechange relatives au moteur, respecter les indications contenues dans la brochure spécifique.

### **GARANTIE.**

La garantie est assurée selon les modes et les limites indiqués sur le coupon correspondant.

Pour le moteur, ce sont les conditions prévues par les Fabricants respectifs qui sont valables.

### **PIECES DE RECHANGE QUE NOUS CONSEILLONS D'AVOIR EN RESERVE.**

- 1 série de courroies.
- 1 filtre air moteur.
- 1 manette de l'accélérateur.

## **COMMENT COMMANDER LES PIÈCES DE RECHANGE.**

Indiquer toujours le numéro de matricule de la machine et le numéro de code de la pièce à remplacer. S'adresser à nos Centres de pièces de rechange qui se trouvent dans chaque département ou bien à nos Ateliers. Voici notre adresse:

GRILLO S.p.A.

Via Cervese 1701 - 47023 CESENA (FC)

Tel. 0547/633111 - Fax 0547/632011 - E-mail: grillo@grillospa.it - Http://ww.grillospa.it

## **MODE D'EMPLOI.**

### **MISE EN SERVICE DE LA MOTOBINEUSE.**

- 1) Contrôler que la machine soit en bon état et qu'elle n'ait pas été endommagée durant le transport.
- 2) Monter les 2 groupes fraise fig. 5.
- 3) Monter le roue de transport (n. 6 fig. 2) en insérant le ressort et la rondelle.
- 4) Monter l'éperon (n. 3 fig. 2).
- 5) Monter les éléments para-boue fig. 2.
- 6) Remplir l'huile moteur (voir le livret respectif).
- 7) Remplir le réservoir de carburant.

### **AVANT LE DEMARRAGE DU MOTEUR.**

- Remplir le réservoir de carburant.
- Contrôler que le filtre soit propre.
- Contrôler le niveau d'huile dans le moteur, avec la machine en position horizontale.

### **DEMARRAGE DU MOTEUR.**

- Ouvrir le robinet de l'essence.
- Placer le levier du gaz sur la position starter. Si le démarrage est réalisé avec le moteur froid, placer le levier du starter sur la position KHOKE.
- Démarrer le moteur en tirant avec force la manette du lanceur à auto-enroulement.
- Après le démarrage du moteur, reporter le levier du starter sur la position RUN et le levier accélérateur presque au minimum.

### **PRECAUTIONS:**

### **POUR LES OPERATIONS SUR LE MOTEUR, CONSULTER LA BROCHURE CORRESPONDANTE.**

### **DEBUT DES TRAVAUX.**

- Régler en hauteur le guidon pour l'adapter à la meilleure position de travail, en intervenant sur le bouton correspondant (n°2 - Fig. 1 - FIG. 2 PRINCESS III).
- Régler la profondeur de travail, en baissant et en soulevant l'éperon arrière, n° 3 - Fig. 1 (FIG. 2 PRINCESS III).
- Tirer latéralement le support roue de transfert et le positionner en haut, n° 7 - Fig. 1 (FIG. 2 PRINCESS III).
- Accélérer le moteur, n° 1 - Fig. 1 (FIG. 2 PRINCESS III).

Sur les modèles 1 + 1 / 2 + 1, tirer le levier de la marche arrière pour obtenir la marche arrière (dispositif de sécurité: lors du relâchement, même accidentel, la machine s'arrête).

### **FIN DES TRAVAUX.**

- Pour bloquer la machine, relâcher le levier d'avancement.
- Désactiver le moteur en plaçant le levier de l'accélérateur sur la position ZERO.
- Fermer le robinet de l'essence s'il existe. Consulter la brochure moteur.

### **ENTRETIEN.**

La motofraise est construite de manière à exiger un entretien réduit; toutefois pour que la machine demeure parfaitement fiable, il faut réaliser les opérations suivantes:

- Respecter scrupuleusement les normes contenues dans le Manuel sur le moteur. Quoi qu'il en soit il est indispensable de contrôler le niveau d'huile toutes les 4 heures de travail et de faire une vidange toutes les 50 heures environ. Consulter le Manuel du moteur ci-joint pour choisir le type d'huile approprié.
- Régler la tension de la courroie en intervenant sur le régleur placé sur le levier; si ce n'est pas suffisant, desserrer les 4 vis de fixation du moteur et déplacer le moteur en avant; serrer à nouveau les vis.
- Nettoyer fréquemment le filtre à air.
- Graisser les câbles de l'accélérateur et de l'embrayage.

# Motorhacke “GRILLO PRINCESS”

Sehr geehrter Kunde,

wir danken Ihnen für Ihr Vertrauen, und sind sicher, daß Sie mit Ihrer neuen Motorhacke “Grillo Princess” voll und ganz zufrieden sein werden.

In diesem Handbuch finden Sie alles, was Sie für den Gebrauch und die Wartung Ihrer Maschine wissen müssen. Lesen Sie es daher aufmerksam durch, und halten Sie sich genau an die Anleitungen, damit Sie auch wirklich immer optimale Resultate erzielen und lange Freude an Ihrer Maschine haben werden. Bewahren Sie dieses Handbuch immer zusammen mit der Maschine auf.

**ACHTUNG! Vor dem Anlassen des Motors die folgenden sicherheitstechnischen Hinweise genau durchlesen.**

## UNFALLVERHÜTUNGSMASSNAHMEN

Vorsicht ist immer die beste Maßnahme, um Unfälle zu vermeiden!

Lesen Sie die folgenden Hinweise genau durch, bevor Sie mit der Arbeit beginnen.

Ein unsachgemäßer Gebrauch der Motorhacke und ihrer Ausrüstung kann Personen- oder Sachschäden zur Folge haben. Um alle eventuellen Risiken auf ein Minimum zu reduzieren, sind die folgenden Hinweise genauestens zu beachten.

- 1) Lesen Sie dieses Handbuch vor der ersten Benutzung der Maschine sorgfältig und ganz durch.
- 2) Die auf der Maschine angebrachten Hinweise bzw. Plaketten besonders beachten.
- 3) **Hände bzw. Füße niemals unter die rotierende Fräse bringen!**
- 4) Soll die Maschine von einer anderen Person benutzt werden, ist diese vorher genauestens im Gebrauch und über die Unfallverhütungsmaßnahmen zu unterweisen.
- 5) Vergewissern Sie sich vor dem Einschalten der Maschine, daß sich keine anderen Personen und vor allem keine Kinder in der Nähe befinden.
- 6) Das Gerät auf keinen Fall benutzen, wenn Sie unter Alkoholeinfluß stehen und/oder müde sind.
- 7) Vor dem Fräsen den zu bearbeitenden Boden kontrollieren, und Steine, Äste oder andere Gegenstände entfernen, die die Maschine beschädigen oder von dieser weggeschleudert werden und jemanden verletzen könnten.
- 8) **Beim Arbeiten immer geeignete Arbeitskleidung, Handschuhe, Schuhe und Schutzbrille tragen.**
- 9) Nicht auf steilen Hängen arbeiten, da die Maschine umkippen könnte.
- 10) Das vorgeschriebene Mindestalter für die Benutzung der Motorhacke beträgt 16 (sechzehn) Jahre.
- 11) Im Rückwärtsgang nur langsam fahren.
- 12) Bei hohen Drehzahlen die Bedienungshebel mit Gefühl und nicht ruckartig bedienen.
- 13) Den Motor nicht in geschlossenen Räumen laufen lassen (Vergiftungsgefahr - gefährliche Abgase).
- 14) Beim Nachtanken den Motor immer ausschalten, nicht rauchen, und offene Flammen bzw. Funken aus dem Gefahrenbereich entfernen.
- 15) Keinen Treibstoff verschütten, und nach dem Tanken alle Treibstoffreste auf der Maschine sorgfältig entfernen.
- 16) **Die Sicherheitsvorrichtungen auf der Maschine niemals außer Funktion setzen bzw. entfernen!**
- 17) **Niemals mit laufendem Motor Reinigungsarbeiten bzw. Einstellungen durchführen.**
- 18) **Die Maschine niemals von einer anderen Person kontrollieren lassen, während Sie selbst auf dieser sitzen und der Motor läuft.**
- 19) Der Benutzer ist immer für anderen Personen zugefügte Schäden verantwortlich!
- 20) Jeder unsachgemäße Gebrauch hat den Verfall des Garantieanspruches und der Haftung des Herstellers zur Folge.
- 21) Beschädigte oder verbogene Hackmesser nicht reparieren, sondern immer sofort auswechseln.
- 22) Ausschließlich Original-Grillo-Ersatzteile verwenden.
- 23) Vor Beginn der Arbeit immer sicherstellen, daß alle Sicherheitsvorrichtungen perfekt funktionieren. Es ist strengstens untersagt, die Sicherheitsvorrichtungen außer Betrieb zu setzen bzw. abzumontieren.
- 24) Vor Beginn der Arbeit immer sicherstellen, daß alle Schrauben und Feststellmuttern der Fräse und der Hackmesser gut angezogen sind.

- 25) Niemals ohne Schutzverkleidungen (Hauben, Kotflügel, usw.) hacken.
- 26) Die Fräse niemals mit laufendem Motor reinigen.
- 27) Nicht ohne Schuhe arbeiten.
- 28) Die Maschine niemals längere Zeit mit laufendem Motor stehen lassen, da sich der Riemen überhitzen könnte.

## IDENTIFIKATION DER MASCHINE UND KUNDENDIENST

### IDENTIFIKATION

Auf dem Rahmen der Motorhacke befindet sich eine Plakette mit der Seriennummer der Maschine, die für die Bestellung von Ersatzteilen und bei allen die Maschine betreffenden Anfragen an den Hersteller/Händler anzugeben ist.

### TECHNISCHE DATEN

- 1 - Mod. nur mit Vorwärtsgang:** Motoren BRIGGS + STRATTON 5,5 PS - TECUMSEH GEOTECH 50T - HONDA GC160 - GX160.
- 2 - Mod. 1+1 mit 1 Vorwärts- und 1 Rückwärtsgang:** Motoren BRIGGS + STRATTON 5,5 PS - TECUMSEH GEOTECH 50T - HONDA GC160 - GX160 - ROBIN / SUBARU EX 17.
- 3 - Mod. PRINCESS III 2+1 mit 2 Vorwärts- und 1 Rückwärtsgang:** Motoren BRIGGS + STRATTON 5,5 PS - TECUMSEH GEOTECH 50T - HONDA GC160 - GX160.

**Startereinrichtung:** Reversierstarter

**Endübertragung:** Mit Ritzel und Kette

**Kupplung:** Mit Hebel auf Lenkholm, wirkt auf Riemenspanner

**Lenkholm:** Aus formgestanztem Blech mit verschraubten Schalen

**Fräse:** Durchmesser 330, mit sechs Sternen und Teller, Breite 80 cm

**Transportrad:** Serienmäßig vorne

**Sicherheitsvorrichtung:** Wird der Lenkholm ausgelassen, bleibt die Maschine stehen; Kotflügel, Lenkholm und Riemenscheibenschutz gem. Vorschrift; Auspuffverkleidung

**Gewicht:** 48 kg; PRINCESS III 62 kg.

**Zubehör:** Kombi-Häufelkörper: Zum Ziehen von Saat- oder Bewässerungsfurchen; wird anstelle des mit dem Stift (3) befestigten Hacksporns montiert; beim Arbeiten zusammen mit der Fräse wird auch auf hartem Boden ein optimales Resultat erzielt.

### KUNDENDIENST

In diesem Handbuch finden Sie Anleitungen für den korrekten Gebrauch Ihrer Maschine und die vom Benutzer allein durchführbaren Wartungseingriffe.

Für alle nicht in diesem Handbuch beschriebenen Eingriffe und Arbeiten wenden Sie sich bitte an Ihren Grillo-Händler.

### ERSATZTEILE

Verwenden Sie ausschließlich Original-Ersatzteile, die unter sicherheits- und montagetechnischem Standpunkt keine Probleme bereiten können.

Bei der Ersatzteilebestellung immer die Seriennummer der Maschine angeben.

Für die Ersatzteile des Motors die Hinweise im Handbuch des Motors beachten.

### GARANTIE

Die Garantiebedingungen finden Sie auf dem Garantieschein.

Für den Motor gelten die von der jeweiligen Herstellerfirma vorgesehenen Garantiebedingungen.

### ERSATZTEILE, DIE SIE IMMER ZUR HAND HABEN SOLLTEN

1 Satz Riemen

1 Luftfilter für Motor

1 Gashebel

## **ERSATZTEILE-BESTELLUNG**

Immer die Seriennummer der Maschine und die Artikelnummer des gewünschten Ersatzteils angeben. Wenden Sie sich bitte an unsere Ersatzteilelager oder an unsere Werkstatt:

GRILLO S.p.A.

Via Cervese 1701 - 47023 CESENA (FC)

Tel. 0547/633111 - Fax 0547/632011 - E-mail: grillo@grillospa.it - Http://ww.grillospa.it

## **BETRIEBSANLEITUNG**

### **INBETRIEBSETZUNG DER MASCHINE:**

- 1) Die Maschine auf Unversehrtheit überprüfen, dass sie keine Transportschäden aufweist.
- 2) Die 2 Elemente der Fräse montieren (Abb. 5).
- 3) Transportrad montieren (Nr. 6, Abb. 2) und dabei Feder und Unterlegscheibe einlegen.
- 4) Sporn montieren (Nr. 3, Abb. 2).
- 5) Kotflügel montieren (Abb. 2).
- 6) Motorenöl einfüllen (siehe entsprechendes Handbuch).
- 7) Treibstofftank füllen.

### **VOR DEM ANLASSEN DES MOTORS**

- Den Tank mit Treibstoff füllen.
- Sicherstellen, daß der Luftfilter sauber ist.
- Mit Maschine in waagrechter Stellung Stand des Motoröls kontrollieren.

### **ANLASSEN DES MOTORS**

- Benzinhahn öffnen.
- Gashebel auf Position Starter legen. Bei kaltem Motor den Starterhebel in die Position CHOKE legen.
- Den Motor anlassen, indem man kräftig am Griff des Reversierstarters zieht.
- Sobald der Motor angesprungen ist, den Starterhebel wieder auf RUN zurückstellen und den Gashebel beinahe auf das Minimum.

### **HINWEIS:**

### **FÜR ALLE EINGRIFFE AM MOTOR SIEHE HANDBUCH DES MOTORS.**

### **BEGINN DER ARBEIT**

- Den Lenker mit Hilfe des Knaufes 2, Abb.1 (Abb. 2 PRINCESS III), durch vertikales und seitliches Verstellen in die beste Arbeitsposition bringen.
- Die Arbeitstiefe durch Anheben bzw. Absenken des hinteren Sporns 3, Abb.1 (Abb. 2 PRINCESS III), einstellen.
- Die Transportradhalterung auf die Seite ziehen und Rad nach oben verstellen, Pos. 7, Abb.1 (Abb. 2 PRINCESS III).
- Gas geben, Pos. 9, Abb.1 (Abb. 2 PRINCESS III).
- Den Fahrhebel ziehen, Pos. 1, Abb.1 (Abb. 2 PRINCESS III).

Beim Modell mit Rückwärtsgang (1+1 / 2+1) für den Rückwärtsgang den Hebel RM ziehen (Unfallschutzvorrichtung - sobald der Hebel ausgelassen wird, wird die Maschine gestoppt).

### **ARBEITSENDE**

- Den Fahrhebel auslassen, damit die Maschine zum Stehen kommt.
- Den Gashebel auf NULL stellen und damit den Motor abstellen.
- Den Benzinhahn (sofern vorhanden) schließen (siehe Motorhandbuch).

### **WARTUNG**

Die Motorhacke ist so gebaut, daß sie nur ein Minimum an Wartung benötigt. Um einen einwandfreien Betrieb zu gewährleisten, sind jedoch die folgenden Maßnahmen erforderlich:

- Alle im Motorhandbuch enthaltenen Anweisungen genauestens befolgen. Alle vier Arbeitsstunden den Ölstand kontrollieren und ca. alle 50 Stunden einen Ölwechsel vornehmen. Öltyp siehe beiliegendes Motorhandbuch.
- Die Riemenspannung über die auf dem Hebel befindliche Vorrichtung regulieren, und falls dies nicht ausreicht, die vier Motorbefestigungsschrauben lockern und den Motor ein wenig nach vorne schieben (Schrauben danach wieder anziehen).
- Den Luftfilter öfters reinigen.
- Gas- und Kupplungsseile ölen.



# MOTOAZADA “GRILLO PRINCESS”

Amable Cliente:

dándole las gracias por la confianza y la preferencia que ha deparado a nuestra motoazada, confiamos en que el uso de esta nueva máquina se ajuste plenamente a sus necesidades.

Para el uso idóneo y para su mantenimiento a largo plazo, le rogamos que lea atentamente y cumpla escrupulosamente con las indicaciones de este libro; esto le permitirá obtener los máximos resultados y defender su inversión.

Le rogamos que guarde este libro, el cual deberá estar siempre junto a la máquina.

**!ATENCIÓN!: Antes de arrancar el motor leer atentamente.**

**!Las advertencias siguientes son importantes para la integridad física de las personas!**

## NORMAS CONTRA ACCIDENTES

La prudencia es el arma principal en la prevención de accidentes.

Le rogamos que lea con atención las advertencias siguientes, incluso antes de comenzar el trabajo.

El uso inadecuado de la motoazada y su equipamiento puede ser perjudicial; para reducir estas posibilidades respete las precauciones necesarias que se indican a continuación:

- 1) Leer este manual completamente, antes de encender y poner en marcha la motoazada.
- 2) Prestar una atención especial a las advertencias y a las etiquetas de seguridad situadas en la máquina.
- 3) La rotación de la fresa es sumamente peligrosa, **no meter nunca las manos o los pies debajo de la misma.**
- 4) Antes de hacer trabajar con la motoazada a otras personas hay que comunicarles las normas de seguridad y la forma de uso de la máquina.
- 5) Antes de encender la motoazada comprobar que no hay personas alrededor; especialmente niños.
- 6) No usar la motoazada de estar cansados y no ingerir bebidas alcohólicas.
- 7) Controlar el terreno antes de efectuar el fresado, para ver que no hay piedras o bastones o cuerpos extraños que puedan dañar la máquina o ser lanzados lejos, siendo muy peligrosos.
- 8) **Antes de comenzar el trabajo, utilizar ropa apropiada de trabajo, guantes, botas y gafas.**
- 9) No usar la motoazada en fuertes pendientes, porque podría volcarse.
- 10) No permitir que muchachos muy jóvenes trabajen con la motoazada; se prohíbe su uso a los menores de 16 años.
- 11) No hacer marcha atrás con el motor acelerado.
- 12) Es peligroso accionar las palancas bruscamente, con el motor al régimen máximo.
- 13) Para evitar el peligro de exalaciones venenosas, no utilizar el motor encendido en un local cerrado.
- 14) **!Apagar siempre el motor antes de repostar combustible, mantenerse lejos de chispas o llamas y no fumar!**
- 15) Evitar que se salga el combustible y tras haber llenado el depósito limpiar cualquier gota que haya podido salirse antes de arrancar el motor.
- 16) **No manipular o desactivar los dispositivos de seguridad.**
- 17) **No hacer ningún tipo de regulación o limpieza con el motor en marcha.**
- 18) **No dejar que nadie controle la máquina mientras Vd. está conduciéndola con el motor en marcha.**
- 19) El usuario será siempre responsable de los daños provocados a terceros.
- 20) Cualquier uso inadecuado supone la pérdida de la garantía y en este caso el fabricante declinará cualquier responsabilidad.
- 21) Las azadas deformadas o dañadas han de sustituirse siempre, sin repararse jamás.
- 22) Usar siempre recambios originales Grillo.
- 23) Antes de comenzar cualquier trabajo con la máquina, comprobar que todos los sistemas contra accidentes, de los que va dotada, funcionan perfectamente. Queda rotundamente prohibido desactivarlos o manipularlos.
- 24) Antes de comenzar el trabajo, controlar que los tornillos y las tuercas de bloqueo de las salletes están apretados perfectamente.
- 25) El equipo de protección (capós, guardabarros, etc.) se mantendrá siempre durante los trabajos.
- 26) No limpiar la fresa con el motor en marcha.
- 27) No utilizar la máquina con los pies desnudos.
- 28) No dejar mucho rato la máquina detenida con el motor en marcha, podría recalentarse la correa.



## IDENTIFICACION Y ASISTENCIA

### IDENTIFICACION

La motoazada lleva una placa situada en el chasis con el número de la matrícula de la máquina. Este número es indispensable para cualquier decisión de intervención técnica y para solicitar los recambios.

### DATOS TECNICOS

**1 - Mod. monomarcha:** motores BRIGGS y STRATTON 5,5 CV - TECUMSEH GEOTECH 50T - HONDA GC160 - GX160.

**2 - Mod. 1 adelante + 1 MA:** motores BRIGGS y STRATTON 5,5 CV - TECUMSEH GEOTECH 50T - HONDA GC160 - GX160 - ROBIN / SUBARU EX 17.

**3 - Mod. PRINCESS III 2 adelante + 1 MA:** motores BRIGGS y STRATTON 5,5 CV - TECUMSEH GEOTECH 50T - HONDA GC160 - GX160.

**Arranque:** de tirón con autoenrollador.

**Transmisión final:** de piñón y cadena.

**Embrague:** con mando de palanca en la mancera que actúa en el tensor de correa.

**Mancera:** regulable en altura y lateralmente.

**Cárter de la fresa:** de chapa estampada con carcasas enroscadas.

**Fresa:** d. 330 de seis estrellas más plato de 80 cm de anchura.

**Rueda de transferencia:** delantera de serie.

**Dispositivos de seguridad:** al abandonar las manceras la máquina se para; guardabarros con manceras o cobertura de la polea según las normas vigentes; protección del silencioso.

**Peso:** 48 kg.; PRINCESS III 62 kg.

**Accesorios:** Abresurcos combinado. Esta herramienta se ha estudiado para efectuar surcos de siembra o de riego. Se aplica en lugar del espolón fijado con el perno - ref. 3. Trabajando en combinación con la fresa se obtiene un excelente resultado incluso en terrenos duros.

### SERVICIO DE ASISTENCIA

Este manual da las indicaciones para usar la motoazada y para efectuar un mantenimiento básico correcto, que puede realizar el mismo usuario.

Para las operaciones que no se describen en este libro, consultarse con el Revendedor de la Zona.

### RECAMBIOS

Se aconseja emplear exclusivamente recambios originales, los únicos que ofrecen características de seguridad e intercambiabilidad.

Cualquier pedido ha de llevar el número de matrícula.

Para los recambios del motor, atenerse a las indicaciones del libro específico.

### GARANTIA

La garantía se solicita en las formas y límites indicados en la tarjeta específica.

Por lo que concierne al motor, son válidas las condiciones previstas por los Fabricantes correspondientes.

### RECAMBIOS QUE SE ACONSEJA TENER DE REPUESTO

N. 1 serie de correas

N. 1 filtro de aire del motor

N. 1 mando del acelerador

### COMO SOLICITAR LOS RECAMBIOS

Indicar siempre el número de matrícula de la máquina y el número del código de la pieza que se ha de sustituir.

Dirigirse a nuestros centros de recambios que se encuentran en todas las provincias; o a nuestra oficinas, nuestras señas son:

GRILLO S.p.A.

Via Cervese 1701 - 47023 CESENA (FC)

Tel. 0547/633111 - Fax 0547/632011

E-mail: grillo@grillospa.it - Http://www.grillospa.it

# INSTRUCCIONES DE USO

## PUESTA EN OBRA DE LA MÁQUINA

- 1) Controle que la máquina esté intacta y que no haya sufrido daños durante el transporte.
- 2) Aplique los 2 elementos de fresa (fig. 5).
- 3) Aplique la rueda de traslado (n° 6 fig. 2) insertando el muelle y la arandela.
- 4) Aplique el espolón (n° 3 fig. 2).
- 5) Aplique los guardabarros fig. 2.
- 6) Inserte el aceite motor (véase el libro correspondiente)
- 7) Llene el depósito de carburante.

## ANTES DE ARRANCAR EL MOTOR

- Llenar el depósito de combustible
- Controlar que el filtro de aire está limpio
- Controlar el nivel del aceite motor, con la máquina en posición horizontal

## ARRANQUE DEL MOTOR

- Abrir el grifo de la gasolina
- Colocar la palanca del gas en la posición del estérter. Si el arranque se efectúa con el motor en frío colocar la palanca del estérter en posición KHOKE.
- Arrancar el motor tirando con fuerza del mando del autoenrollador.
- Una vez arrancado el motor, colocar la palanca del estérter en la posición RUN y la palanca del acelerador casi al ralentí.

## ADVERTENCIA:

**PARA LAS OPERACIONES REALIZADAS EN EL MOTOR VEASE EL LIBRO CORRESPONDIENTE.**

## COMIENZO DEL TRABAJO

- Regular en altura el manillar, para adaptarlo a la mejor posición de trabajo, moviendo el pomo correspondiente, N. 2 - FIG. 1 (FIG. 2 PRINCESS III).
- Regular la profundidad de trabajo, bajando o levantando el espolón trasero, N. 3 - FIG. 1 (FIG. 2 PRINCESS III).
- Tirar lateralmente del soporte de la rueda de transferencia y colocarla arriba, N. 7 - FIG. 1 (FIG. 2 PRINCESS III).
- Acelerar el motor, N. 9 - FIG. 1 (FIG. 2 PRINCESS III).
- Tirar de la palanca de avance, N. 1 - FIG. 1 (FIG. 2 PRINCESS III).

En el modelo 1 + 1 / 2 + 1 tirar de la palanca MA para ir marcha atrás. (Dispositivo de seguridad: al soltarlo, aunque sea accidentalmente, la máquina se para).

## FIN DEL TRABAJO

- Para detener la máquina soltar la palanca de avance.
- Apagar el motor colocando la palanca del acelerador en posición CERO
- Cerrar el grifo de la gasolina si lo hay. Véase el libro del motor.

## MANTENIMIENTO

La motoazada se ha fabricado para necesitar muy poco mantenimiento, sin embargo, para mantener la máquina en perfectas condiciones es preciso efectuar las operaciones siguientes:

- Cumplir escrupulosamente con las normas del libro del motor. De todas formas, es indispensable controlar el nivel del aceite cada 4 horas de trabajo y sustituirlo cada 50 horas aproximadamente. Para el tipo de aceite véase el libro del motor adjunto.
- Regular el tensado de la correa moviendo el dispositivo de reglaje situado en la palanca; de no ser suficiente, aflojar los 4 tornillos de fijación del motor y desplazar ligeramente el motor hacia adelante, luego apretar otra vez los tornillos.
- Limpiar frecuentemente el filtro de aire
- Engrasar los cables del acelerador y del embrague.

# ENXADA MECÂNICA “GRILLO PRINCESS”

Prezado Cliente,

agradecemos a sua confiança e a sua preferência pela nossa enxada mecânica. Temos a certeza de que a utilização desta máquina responderá plenamente às suas exigências.

Para que a máquina seja utilizada da maneira ideal e para que possua uma longa vida útil, pedimos que leia atentamente e que siga à risca as indicações fornecidas neste manual; estas indicações permitir-lhe-ão obter os máximos resultados e proteger o seu investimento.

Pedimos que conserve este manual com cuidado. O mesmo sempre deverá acompanhar a máquina.

**ATENÇÃO! Antes de dar partida no motor, leia atentamente as seguintes recomendações: estas são importantes para a sua integridade física!**

## **NORMAS DE PRECAUÇÃO DE ACIDENTES**

A prudência é a melhor arma na precaução de acidentes! Pedimos que leia com atenção as seguintes recomendações antes de iniciar o trabalho. A utilização imprópria da enxada mecânica e do respectivo equipamento pode ser perigoso; a fim de reduzir estes riscos, observe as precauções necessárias indicadas a seguir:

- 1) Leia este manual inteiramente antes de ligar a enxada mecânica e de a colocar em movimento.
- 2) Preste atenção especial às indicações e etiquetas de segurança colocadas à volta da máquina.
- 3) A rotação da fresa é altamente perigosa: **nunca coloque as mãos ou os pés por baixo da fresa.**
- 4) Antes de deixar que outras pessoas trabalhem com a enxada mecânica, informe-as a respeito das normas de segurança e de como utilizar a máquina.
- 5) Antes de ligar a enxada mecânica, verifique se não existem pessoas à volta da máquina, principalmente crianças.
- 6) Não utilize a enxada mecânica se estiver cansado e não beba substâncias alcoólicas.
- 7) Controle o terreno antes de iniciar a fresagem. Verifique se não existem pedras, paus ou objectos estranhos que possam estragar a máquina ou serem lançados para longe, tornando-se muito perigosos.
- 8) **Antes de começar o trabalho, vista roupas de trabalho apropriadas, luvas, sapatos e óculos de segurança.**
- 9) Não utilize a enxada mecânica em terrenos muito inclinados, pois esta pode virar.
- 10) Não deixe que rapazes muito jovens utilizem a máquina: a sua utilização é proibida a pessoas menores de 16 anos.
- 11) Não accione a marcha-atrás com o motor acelerado.
- 12) É perigoso accionar as alavancas bruscamente, com o motor em regime máximo.
- 13) A fim de evitar o risco de exalações de substâncias venenosas, não deixe o motor ligado enquanto estiver num ambiente fechado.
- 14) Sempre desligue o motor antes de abastecer a máquina com o combustível. Fique afastado de faíscas ou de chamas. Não fume!
- 15) Evite saídas de combustível e, depois de ter enchido o reservatório, limpe todos os resíduos de combustível presentes na máquina antes de dar partida no motor.
- 16) **Não altere nem desmonte os dispositivos de segurança!**
- 17) **Não faça nenhum tipo de regulação ou limpeza com o motor em movimento.**
- 18) **Não deixe que ninguém controle a máquina enquanto a estiver conduzindo com o motor em movimento.**
- 19) O utente é sempre responsável pelos danos causados a terceiros.
- 20) Qualquer utilização imprópria comporta a perda de validade da garantia e alivia o fabricante de qualquer responsabilidade.
- 21) As enxadas deformadas ou estragadas sempre devem ser substituídas e nunca consertadas.
- 22) Só utilize peças sobressalentes fornecidas pela Grillo.
- 23) Antes de iniciar qualquer trabalho com a máquina, verifique se todos os sistemas de precaução de acidentes presentes na máquina estão perfeitamente eficientes. É expressamente proibido desactivá-los ou alterá-los.
- 24) Antes de começar o trabalho, verifique se os parafusos e as porcas de bloqueio da fresa e das enxadas estão bem apertados.
- 25) O equipamento de protecção (capota, pára-lamas, etc.) deve estar sempre montado durante os trabalhos com a enxada mecânica.
- 26) Nunca limpe a fresa com o motor ligado.
- 27) Não utilize a máquina se estiver descalço.
- 28) Não deixe a máquina parada com o motor ligado por muito tempo para evitar que a correia fique excessivamente aquecida.

## IDENTIFICAÇÃO E ASSISTÊNCIA

### IDENTIFICAÇÃO

A enxada mecânica é fornecida com uma plaqueta de identificação colocada na armação, a qual indica o número de matrícula da máquina.

Este número é indispensável para qualquer pedido de intervenção técnica e para as operações de substituição de peças.

### DADOS TÉCNICOS

**1 - Mod. mono-velocidade:** motores BRIGGS e STRATTON 5,5 HP - TECUMSEH GEOTECH 50T - HONDA GC160 - GX160.

**2 - Mod. 1 marcha de avanço + 1 marcha-atrás:** motores BRIGGS e STRATTON 5,5 HP - TECUMSEH GEOTECH 50T - HONDA GC160 - GX160 - ROBIN / SUBARU EX 17.

**3 - Mod. PRINCESS III 2 marchas de avanço + 1 marcha-atrás:** motores BRIGGS e STRATTON 5,5 HP - TECUMSEH GEOTECH 50T - HONDA GC160 - GX160.

**Arranque:** por puxão com auto-enrolamento.

**Transmissão final:** por pinhão e corrente.

**Embraiagem:** com comando por alavanca na rabiça com acção no tensor de correia.

**Rabiça:** regulável em altura e na posição lateral.

**Cárter da fresa:** com chapa estampada de cárter aparafusados.

**Fresa:** Ø 330 com seis estrelas mais placa de 80 cm de largura.

**Roda de movimento:** dianteira de série.

**Dispositivos de segurança:** se as rabiças forem abandonadas, a máquina interrompe o seu movimento; pára-lamas, rabiças e coberturas para as polias em conformidade com as normas; protecção para a marmita.

**Peso:** 48 kg.; PRINCESS III 62 kg.

**Acessórios:** Sulcador combinado. Esta alfaia foi estudada para efectuar os sulcos da sementeira ou para a irrigação. É acoplada no lugar da espora por intermédio do pino - ref.3. Em combinação com a fresa, permite a obtenção de óptimos resultados, até mesmo em terrenos duros.

### SERVIÇO DE ASSISTÊNCIA

Este manual fornece as indicações para a utilização da enxada mecânica e para uma manutenção básica correcta, a qual pode ser executada pelo utente.

Para as intervenções não descritas neste manual, dirija-se ao Revendedor da sua Zona.

### PEÇAS SOBRESSALENTES

Recomenda-se a utilização exclusiva de peças sobressalentes originais por serem as únicas que oferecem características de segurança e possibilidade de substituição. Todos os pedidos de peças sobressalentes deverão ser acompanhados pelo número de matrícula da máquina.

Para as peças sobressalentes do motor, sigas as indicações fornecidas no manual específico.

### GARANTIA

A garantia é fornecida nos modos e dentro dos limites indicados no cartão específico.

No que diz respeito ao motor, valem as condições previstas pelos respectivos Fabricantes.

### PEÇAS SOBRESSALENTES QUE RECOMENDAMOS MANTER EM STOCK

N.1 série de correias

N.1 filtro de ar do motor

N.1 alavanca do acelerador.

### COMO PEDIR AS PEÇAS SOBRESSALENTES

Sempre indique o número de matrícula da máquina e o número de código da peça sobressalente.

Dirija-se aos nossos centros de distribuição de peças presentes em todas as províncias; ou então às nossas oficinas. Nosso endereço é:

GRILLO S.p.A.

Via Cervese 1701 - 47023 CESENA (FC)

Tel. 0547/633111 - Fax 0547/632011

E-mail: grillo@grillospa.it - Http://ww.grillospa.it

# INSTRUÇÕES PARA O USO

## PREPARAÇÃO DA MÁQUINA:

- 1) Verifique se a máquina está intacta, assegurando-se de que não sofreu danos durante o transporte.
- 2) Monte os 2 elementos fresa (fig. 5).
- 3) Monte a roda de movimento (n. 6, fig. 2) introduzindo a mola e a anilha.
- 4) Monte a espora (n. 3, fig. 2).
- 5) Monte os guarda-lamas (fig. 2).
- 6) Introduza óleo no motor (ver manual de instruções próprio).
- 7) Ateste o depósito de gasolina.

## ANTES DO ARRANQUE DO MOTOR

- Encha o reservatório de carburante.
- Controle se o filtro de ar está limpo.
- Controle o nível de óleo do motor com a máquina na posição horizontal.

## ARRANQUE DO MOTOR

- Abra a torneira de gasolina.
- Coloque a alavanca do acelerador na posição “starter”. Se a partida for feita com o motor a frio, leve a alavanca do starter até à posição KHOKE.
- Dê partida no motor puxando com força o manípulo do auto-enrolamento.
- Depois do arranque, recoloque a alavanca do starter na posição RUN e a alavanca do acelerador quase no mínimo.

## ADVERTÊNCIA:

**PARA AS OPERAÇÕES NO MOTOR, CONSULTE O RESPECTIVO MANUAL.**

## INÍCIO DO TRABALHO

- Com a manopla N.2 - FIG.1 (FIG. 2 PRINCESS III), regule a altura do guiador, adaptando-o à melhor posição de trabalho.
- Regule a profundidade de trabalho, abaixando ou levantando a espora traseira, N.3 - FIG.1 (FIG. 2 PRINCESS III).
- Puxe o suporte da roda de movimento para o lado e coloque-o na posição alta, N.7 - FIG.1 (FIG. 2 PRINCESS III).
- Acelere o motor, N.9 - FIG.1 (FIG. 2 PRINCESS III).
- Puxe a alavanca de avanço, N.1 - FIG.1 (FIG. 2 PRINCESS III).

No modelo 1+1 / 2+1, puxe a alavanca RM para accionar a marcha-atrás. (Dispositivo de segurança: se for liberado, mesmo por erro, a máquina interromperá o seu movimento).

## FINAL DO TRABALHO

- Para parar a máquina, solte a alavanca de avanço.
- Desligue o motor colocando a alavanca do acelerador na posição ZERO.
- Feche a torneira da gasolina onde existir. Consulte o manual do motor.

## MANUTENÇÃO

A enxada mecânica foi construída de forma que a manutenção necessária fosse mínima; todavia, a fim de manter a máquina em perfeita eficiência, é recomendável efectuar as seguintes operações:

- Seguir à risca as normas contidas no manual do motor. De qualquer maneira, é indispensável controlar o nível do óleo a cada 4 horas de trabalho e substituí-lo a cada 50 horas aproximadamente. Quanto ao tipo de óleo a utilizar, consulte o manual do motor fornecido junto com a máquina.
- Regular a tensão da correia por intermédio da afinação colocada na alavanca; se não for suficiente, desatarraxe os 4 parafusos de fixação do motor e mova levemente o motor para frente. Torne a atarraxar os parafusos de fixação.
- Limpar o filtro de ar com frequência.
- Lubrificar os cabos do acelerador e da embraiagem.



## ΜΟΤΟΣΚΑΠΤΙΚΟ "GRILLO PRINCESS"

Αγαπητέ Πελάτη,

σας ευχαριστούμε για την εμπιστοσύνη και για το ότι προτιμήσατε το μοτοσκαπτικό μας. Είμαστε σίγουροι ότι η χρήση αυτού του νέου μηχανήματος ανταποκρίνεται πλήρως στις απαιτήσεις σας.

Για την ιδανική χρήση και τη διατήρηση στο πέρασμα του χρόνου, σας παρακαλούμε να διαβάσετε προσεκτικά και να ακολουθήσετε λεπτομερώς τις ενδείξεις του παρόντος εγχειρίδιου. Αυτό θα σας επιτρέψει να έχετε άριστα αποτελέσματα.

Παρακαλείστε να φυλάξετε αυτό το εγχειρίδιο, που πρέπει πάντα να συνοδεύει το μηχάνημα.

### ΠΡΟΣΟΧΗ!

**Πριν θέσετε σε λειτουργία τον κινητήρα διαβάστε προσεκτικά.**

Οι παρακάτω οδηγίες είναι σημαντικές για την ακεραιότητα!

### ΚΑΝΟΝΙΣΜΟΙ ΠΡΟΛΗΨΗΣ ΑΤΥΧΗΜΑΤΩΝ

Η επιφύλαξη είναι το κύριο όπλο για την πρόληψη των ατυχημάτων!

Σας παρακαλούμε θερμά να διαβάσετε με προσοχή τις παρακάτω προειδοποιήσεις, πριν αρχίσετε την εργασία.

Η ακατάλληλη χρήση του μοτοσκαπτικού και των εξαρτημάτων του μπορεί να είναι επικίνδυνη. Για να μειώσετε αυτές τις πιθανότητες πρέπει να λάβετε τα εξής απαραίτητα προφυλακτικά μέτρα:

- 1) Διαβάστε πλήρως το παρόν εγχειρίδιο, πριν ανάψετε και βάλετε σε λειτουργία το μοτοσκαπτικό.
- 2) Δώστε ιδιαίτερη προσοχή στις ετικέτες ασφαλείας γύρω από το μηχάνημα.
- 3) Η περιστροφή της φρέζας είναι λείαν επικίνδυνη, **ποτέ μη βάζετε χέρια ή πόδια κάτω από τη φρέζα.**
- 4) Πριν αφήσετε άλλα άτομα να χρησιμοποιήσουν το μοτοσκαπτικό πρέπει να τους γνωστοποιήσετε τους κανονισμούς ασφαλείας και το πως χρησιμοποιείται το μηχάνημα.
- 5) Πριν ανάψετε μοτοσκαπτικό βεβαιωθείτε ότι δεν υπάρχουν άτομα γύρω, ειδικά παιδιά.
- 6) Μη χρησιμοποιείτε το μοτοσκαπτικό όταν είσατε κουρασμένοι και μην πίνετε οινοπνευματώδη ποτά.
- 7) Πριν αρχίσετε το φρεζάρισμα ελέγξτε το έδαφος. Δεν πρέπει να υπάρχουν πέτρες, ξύλα ή ξένα σώματα, που θα μπορούσαν να προξενήσουν ζημιά στο μηχάνημα ή να εκτοξευτούν μακριά, και επομένως πολύ επικίνδυνα.
- 8) **Πριν αρχίσετε την εργασία, φορέστε κατάλληλα ρούχα εργασίας, γάντια, μπότες, γυαλιά.**
- 9) Μη χρησιμοποιείτε το μοτοσκαπτικό με εδάφη με μεγάλη κλίση, θα μπορούσε να αναποδογυρίσει.
- 10) Μη βάζετε να εργάζονται ανήλικοι. Απαγορεύεται η εργασία σε ανήλικους κάτω των 16 ετών.



- 11) Μην κάνετε όπισθεν επιταχύνοντας τον κινητήρα.
- 12) Είναι επικίνδυνο να τραβάτε μοχλούς απότομα, με τον κινητήρα στο μάξιμουμ.
- 13) Για να αποφύγετε επικίνδυνες αναθυμιάσεις, μη χρησιμοποιείτε τον κινητήρα αναμμένο σε κλειστούς χώρους.
- 14) Σβήνετε πάντα τον κινητήρα πριν κάνετε ανεφοδιασμό καυσίμου και να στέκεστε μακριά από σπινθήρες ή φλόγες, μη καπνίζετε.
- 15) Αποφεύγετε διαρροές καυσίμου και αφού γεμίσετε το ρεζερβουάρ σκουπίστε κάθε ίχνος καυσίμου από το μοτοκοπτικό πριν βάλετε σε λειτουργία τον κινητήρα.
- 16) **Μην πειράζετε ή αφαιρείτε τις διατάξεις ασφαλείας.**
- 17) **Μην εκτελείτε κανενός είδους ρύθμιση ή καθαρισμό με τον κινητήρα αναμμένο.**
- 18) **Κανείς δεν πρέπει να ελέγχει το μηχάνημα ενώ το οδηγείτε με τον κινητήρα αναμμένο.**
- 19) Ο χρήστης είναι πάντα υπεύθυνος για τις ζημιές που προκαλεί σε τρίτους.
- 20) Κάθε ακατάλληλη χρήση επιφέρει την έκπτωση της εγγύησης και απαλλάσσει τον κατασκευαστή από κάθε ευθύνη.
- 21) Τα τσαπάκια που είναι σταρβωμένα ή έχουν υποστεί ζημιά πρέπει πάντα να αντικαθιστούνται, ποτέ δεν πρέπει να επισκευάζονται.
- 22) Χρησιμοποιείτε πάντα γνήσια ανταλλακτικά Grillo.
- 23) Πριν αρχίσετε οποιαδήποτε εργασία με το μηχάνημα, βεβαιωθείτε ότι όλα τα συστήματα προφύλαξης από ατυχήματα, με τα οποία είναι εφοδιασμένο, λειτουργούν τέλεια. Απαγορεύεται αυστηρά η αφαίρεσή τους.
- 24) Πριν αρχίσετε την εργασία, ελέγξτε αν οι βίδες και τα παξιμάδια που ασφαλίζουν τη φρέζα και τα τσαπάκια είναι καλά σφιγμένα.
- 25) Τα προστατευτικά εξαρτήματα (καπό, φτερά, κλπ) πρέπει να είναι οπωσδήποτε τοποθετημένα κατά τη διάρκεια της εργασίας.
- 26) Μην καθαρίζετε τη φρέζα με τον κινητήρα αναμμένο.
- 27) Μη χρησιμοποιείτε το μηχάνημα με γυμνά πόδια.
- 28) Μην αφήνετε για μεγάλο διάστημα το μηχάνημα σταματημένο με τον κινητήρα αναμμένο, ο ιμάντας μπορεί να ζεσταθεί.

## **ΑΝΑΓΝΩΡΙΣΗ ΚΑΙ ΣΕΡΒΙΣ**

### **ΑΝΑΓΝΩΡΙΣΗ**

Το μοτοσκαπτικό είναι εφοδιασμένο με μια πινακίδα που βρίσκεται πάνω στο σασί με τον αύξοντα αριθμό του μηχανήματος. Αυτός ο αριθμός είναι απαραίτητος για κάθε επισκευή και παραγγελία ανταλλακτικών.

### **ΤΕΧΝΙΚΑ ΧΑΡΑΚΤΗΡΙΣΤΙΚΑ**

- 1 - **Μοντ. 1 ταχύτητας:** κινητήρας Briggs και Stratton 5,5 HP - TECUMSEH GEOTECH 50T - HONDA GC160 - GX160.
  - 2 - **Μοντ. 1 ταχύτητας + 1 όπισθεν (RM):** κινητήρας Briggs και Stratton 5,5 HP - TECUMSEH GEOTECH 50T - HONDA GC160 - GX160 - ROBIN/SUBARU EX 17.
  - 3 - **PRINCESS III**  
**Μοντ. 2 ταχύτητας + 1 όπισθεν (RM):** κινητήρας Briggs και Stratton 5,5 HP - TECUMSEH GEOTECH 50T - HONDA GC160 - GX160.
- Εκκίνηση:** με λαβή και αυτόματη περιέλιξη.  
**Τελική μετάδοση κίνησης:** με γρανάζι και αλυσίδα.

**Συμπλέκτης:** με μοχλό πάνω στο τιμόνι που ενεργεί πάνω στον εντατήρα ιμάντος.

**Τιμόνι:** ρυθμιζόμενο στο ύψος και στο πλάι.

**Προστασία φρέζας:** από σταμπωτή λαμαρίνα με βιδωτά καλύμματα.

**Φρέζα:** Ø 330 με έξι μύτες και φτυαράκι πλάτους 80 cm.

**Ροδίτσα μεταφοράς:** μπροστινή.

**Διατάξεις ασφαλείας:** εγκαταλείποντας το τιμόνι το μηχάνημα σταματά, φτερά, τιμόνι και καπάκι τροχαλίας, προστασία εξάτμισης.

**Βάρος:** 48 κιλά, PRINCESS III 62.

**Αξεσουάρ:** Υνί. Αυτό το εργαλείο είναι μελετημένο για να εκτελεί αυλάκια για σπορά ή άρδευση. Εφαρμόζεται στη θέση του σπιρουιού - αρ. 3. Εργάζεται σε συνδιασμό με τη φρέζα και δίνει ένα άριστο αποτέλεσμα ακόμα και σε σκληρά εδάφη.

## ΣΕΡΒΙΣ

Το παρόν εγχειρίδιο παρέχει οδηγίες για τη χρήση του μοτοσκαπτικού και για μια σωστή βασική συντήρηση εκ μέρους του χειριστή.

Για τις επεμβάσεις που δεν περιγράφονται στο παρόν εγχειρίδιο, απευθυνθείτε στον τοπικό αντιπρόσωπο.

## ΑΝΤΑΛΛΑΚΤΙΚΑ

Συνιστάται η αποκλειστική χρήση γνήσιων ανταλλακτικών, τα μοναδικά που παρέχουν ασφάλεια και είναι εναλλάξιμα.

Κάθε παραγγελία πρέπει να συνοδεύεται από τον αύξοντα αριθμό.

Για τα ανταλλακτικά του κινητήρα, βλέπε σχετικό εγχειρίδιο.

## ΕΓΓΥΗΣΗ

Η εγγύηση χορηγείται με τους τρόπους και περιορισμούς που αναφέρονται στην ειδική κάρτα.

Για όσον αφορά τον κινητήρα, ισχύουν οι συνθήκες που προβλέπονται από τους αντίστοιχους Κατασκευαστές.

## ΑΝΤΑΛΛΑΚΤΙΚΑ ΠΟΥ ΠΑΝΤΑ ΠΡΕΠΕΙ ΝΑ ΕΧΕΤΕ

1 σειρά ιμάντες

1 φίλτρο αέρος κινητήρα

1 μανέτα γκαζιού

## ΠΩΣ ΝΑ ΠΑΡΑΓΓΕΙΛΕΤΕ ΤΑ ΑΝΤΑΛΛΑΚΤΙΚΑ

Αναφέρετε πάντα τον αύξοντα αριθμό του μηχανήματος και τον κωδικό του ανταλλακτικού. Απευθυνθείτε στα κέντρα σέρβις, ή στο εργοστάσιό μας. Η διεύθυνσή μας είναι:

GRILLO S.p.A.

Via Cervese 1701- 47023 CESENA (FO)

Τηλ. 0547- 633111 - Fax 0547/632011

E-mail: grillo@grillospa.it - Http://www.grillospa.it

## ΟΔΗΓΙΕΣ ΧΡΗΣΗΣ

### ΘΕΣΗ ΣΕ ΛΕΙΤΟΥΡΓΙΑ ΤΟΥ ΜΗΧΑΝΗΜΑΤΟΣ

- 1) Βεβαιωθείτε για την ακεραιότητα του μηχανήματος και ότι δεν έχει πάθει ζημιά κατά τη μεταφορά.
- 2) Τοποθετήστε τις δύο φρέζες (εικ. 5).
- 3) Τοποθετήστε τη ροδίτσα μεταφοράς (6, εικ. 2) εισάγοντας το ελατήριο και τη ροδέλα.
- 4) Τοποθετήστε το σπιρούνι (3, εικ. 2).
- 5) Τοποθετήστε τα φτερά (εικ. 2).
- 6) Προσθέστε το λάδι μηχανής (βλ. ειδικό εγχειρίδιο).
- 7) Γεμίστε το ρεζερβουάρ με καύσιμο.

## **ΠΡΙΝ ΒΑΛΕΤΕ ΣΕ ΛΕΙΤΟΥΡΓΙΑ ΤΟΝ ΚΙΝΗΤΗΡΑ**

- Γεμίστε το ρεζερβουάρ με βενζίνη
- Ελέγξτε αν το φίλτρο αέρος είναι καθαρό.
- Ελέγξτε το λάδι του κινητήρα, με το μηχάνημα σε οριζόντια θέση.

## **ΕΚΚΙΝΗΣΗ ΚΙΝΗΤΗΡΑ**

- Ανοίξτε τη ρεζέρβα της βενζίνης.
- Βάλτε το μοχλό γκαζιού στη θέση starter. Αν η εκκίνηση γίνεται με κρύο κινητήρα βάλτε το μοχλό του starter στη θέση CHOKE.
- Ανάψτε τον κινητήρα τραβώντας με δύναμη τη λαβή.
- Μόλις ο κινητήρας ανάψει, βάλτε το μοχλό του starter στη θέση RUN και το μοχλό του γκαζιού σχεδόν στο μίνιμουμ.

## **ΠΡΟΕΙΔΟΠΟΙΗΣΗ:**

**ΓΙΑ ΤΙΣ ΕΠΕΜΒΑΣΕΙΣ ΣΤΟΝ ΚΙΝΗΤΗΡΑ ΒΛΕΠΕ ΤΟ ΣΧΕΤΙΚΟ ΕΓΧΕΙΡΙΔΙΟ.**

## **ΕΝΑΡΞΗ ΕΡΓΑΣΙΑΣ**

- Ρυθμίστε το τιμόνι στο ύψος και προς το πλάι, για να το προσαρμόσετε στην καλύτερη θέση εργασίας, ρυθμίζοντας το σχετικό μοχλό, AP. 2 - ΕΙΚ.1.
  - Ρυθμίστε το βάθος εργασίας, κατεβάζοντας ή ανεβάζοντας το πίσω σπιρούνι, AP. 3 - ΕΙΚ.1.
  - Τραβήξτε προς τα πλάι τη ροδίτσα μεταφοράς και σηκώστε την, AP. 7 - ΕΙΚ.1.
  - Γκαζώστε τον κινητήρα, AP. 9 - ΕΙΚ.1.
  - Τραβήξτε το μοχλό για τη μετατόπιση προς τα εμπρός, AP. 1 - ΕΙΚ.1.
- Στο μοντέλο 1+1 / 2+1 τραβήξτε το μοχλό RM για να πάτε προς τα πίσω. (Διάταξη ασφαλείας: αφήνοντάς τον, το μηχάνημα σταματά).

## **ΤΕΛΟΣ ΕΡΓΑΣΙΑΣ**

- Για να σταματήσετε το μηχάνημα αφήστε το μοχλό μετακίνησης.
- Σβήστε τον κινητήρα βάζοντας το μοχλό γκαζιού στη θέση ΜΗΔΕΝ.
- Κλείστε τη ρεζέρβα της βενζίνης, αν υπάρχει. Βλέπε εγχειρίδιο κινητήρα.

## **ΣΥΝΤΗΡΗΣΗ**

Το μοτοσκαπτικό είναι κατασκευασμένο ώστε να χρειάζεται ελάχιστη συντήρηση. Παρόλα αυτά για να διατηρήσετε την τέλεια απόδοση του μηχανήματος πρέπει να:

- Τηρείται τους κανονισμούς που αναφέρονται στο εγχειρίδιο του κινητήρα. Είναι υποχρεωτικό να ελέγχετε τη στάθμη του λαδιού ύστερα από 4 ώρες εργασίας και να το αντικαθιστάτε κάθε 50 ώρες περίπου. Για τον τύπο λαδιού βλέπε το εγχειρίδιο του κινητήρα που επισυνάπτεται.
- Ρυθμίζετε την τάση του ιμάντα μέσω του ρυθμιστή που βρίσκεται πάνω στο μοχλό. Αν δεν αρκεί λασκάρετε τις 4 βίδες που στηρίζουν τον κινητήρα και μετακινείτε ελαφρά τον κινητήρα προς τα εμπρός, ύστερά σφίγγετε και πάλι τις βίδες.
- Καθαρίζετε τακτικά το φίλτρο αέρος.
- Λαδώνετε τα σύρματα του γκαζιού και του συμπλέκτη.



# MOD. = 1

# MOD. = 1 + 1 RM

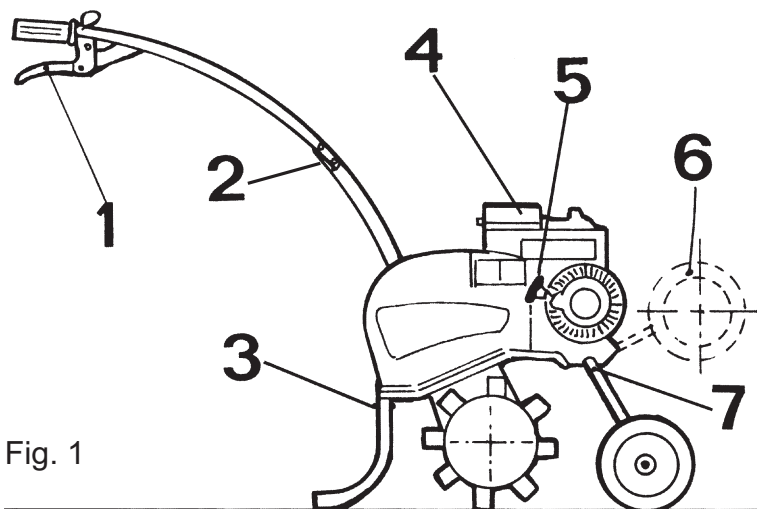


Fig. 1

## MACHINE CONTROLS - FIG. 1

- 1) Travel lever (RM reverse lever) 1+1 model.
- 2) Handlebar adjuster lever
- 3) Foot adjuster pin
- 4) Fuel cap
- 5) Pull starter handle
- 6) Wheel working position
- 7) Wheel positioning pin
- 8) Cultivator head
- 9) Throttle.

## COMANDI DELLA MACCHINA - FIG. 1

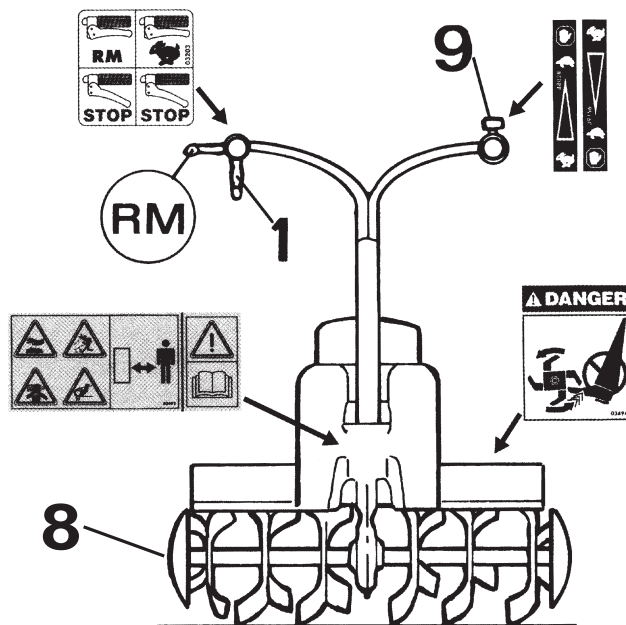
- 1) Leva avanzamento (RM leva retromarcia) modello 1+1.
- 2) Maniglia posizionamento stegole.
- 3) Spinotto regolazione sperone.
- 4) Tappo serbatoio.
- 5) Maniglia avviamento autoavvolgente.
- 6) Posizione di lavoro del ruotino.
- 7) Spinotto posizionamento ruotino.
- 8) Fresa.
- 9) Leva acceleratore.

## COMMANDES DE LA MACHINE - FIG. 1.

- 1) Levier d'avancement (RM = levier de marche arrière): modèle 1 + 1.
- 2) Manette de positionnement des mancherons.
- 3) Goujon de réglage de l'éperon.
- 4) Bouchon du réservoir.
- 5) Poignée du lanceur à auto-enroulement.
- 6) Position de travail de la roue.
- 7) Goujon de positionnement de la roue.
- 8) Fraise.
- 9) Levier de l'accélérateur.

## ΧΕΙΡΙΣΤΗΡΙΑ ΤΟΥ ΜΗΧΑΝΗΜΑΤΟΣ - ΕΙΚ.1

- 1) Μοχλός κίνησης προς τα εμπρός (RM μοχλός όπισθεν) μοντέλο 1+ 1.
- 2) Μοχλός τοποθέτησης των χειρολαβών
- 3) Πείρος ρύθμισης σπιρουιού.
- 4) Τάπα ρεζερβουάρ.
- 5) Λαβή εκκίνησης - Αυτόματη περιέλιξη.
- 6) Θέση εργασίας ροδίτσας.
- 7) Πείρος ρύθμισης ροδίτσας.
- 8) Φρέζα.
- 9) Μοχλός γκαζιού.



## STEUEREINRICHTUNGEN DER MASCHINE - ABB. 1

- 1) Fahrthebel (RM Rückwärtsganghebel) Modell 1+1
- 2) Lenkholm-Positionierungshebel
- 3) Stift zum Einstellen des Sporns
- 4) Tankdeckel
- 5) Reversierstartergriff
- 6) Arbeitsstellung des Rades
- 7) Transportrad-Positionierstift
- 8) Fräs-/Hacksatz
- 9) Gashebel

## MANDOS DE LA MAQUINA - FIG. 1

- 1) Palanca de avance (RM=MA de la palanca de la marcha atrás) modelo 1 + 1.
- 2) Manilla colocación manquera.
- 3) Perno de regulación del espolón.
- 4) Tapón del depósito.
- 5) Manilla de arranque.
- 6) Posición de trabajo
- 7) Perno de posicionamiento de la rueda (posición de traslación).
- 8) Fresadora.
- 9) Palanca del acelerador.

## COMANDOS DA MÁQUINA - FIG. 1

- 1) Alavanca de avanço (RM - alavanca da marcha-atrás) modelo 1+1.
- 2) Manipulo de posicionamento da haste.
- 3) Pino de regulação da espora.
- 4) Tampa do reservatório.
- 5) Puxador de arranque do auto-enrolamento.
- 6) Posição de trabalho.
- 7) Pino de posicionamento da roda (posição de traslação).
- 8) Fresa.
- 9) Alavanca do acelerador.

# Princess III 2+1 RM

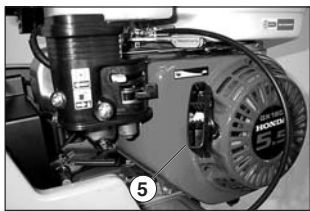
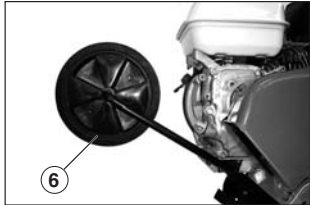
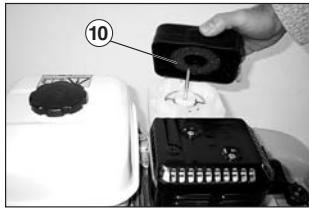
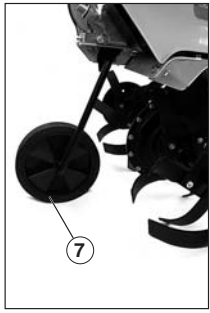
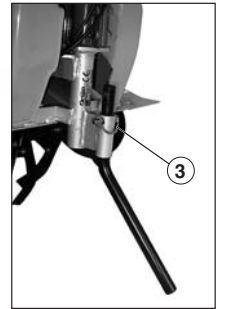


Fig. 2



## MACHINE CONTROLS - FIG. 2

- 1) Travel lever (RM reverse lever)
- 2) Handlebar adjuster knob
- 3) Foot adjuster pin
- 4) Fuel cap
- 5) Pull starter handle
- 6) Wheel working position
- 7) Wheel positioning pin
- 8) Cultivator head
- 9) Throttle.
- 10) Air filter
- 11) Handlebar adjuster lever

## COMANDI DELLA MACCHINA - FIG. 2

- 1) Leva avanzamento (RM leva retromarcia).
- 2) Pomello regolazione manubrio.
- 3) Spinotto regolazione sperone.
- 4) Tappo serbatoio.
- 5) Maniglia avviamento autoavvolgente.
- 6) Posizione di lavoro del ruotino.
- 7) Spinotto posizionamento ruotino.
- 8) Fresa.
- 9) Leva acceleratore.
- 10) Filtro dell'aria.
- 11) Maniglia posizionamento stegole.

## COMMANDES DE LA MACHINE - FIG. 2.

- 1) Levier d'avancement (RM = levier de marche arrière).
- 2) Bouton de réglage du guidon.
- 3) Goujon de réglage de l'éperon.
- 4) Bouchon du réservoir.
- 5) Poignée du lanceur à auto-enroulement.
- 6) Position de travail de la roue.
- 7) Goujon de positionnement de la roue.
- 8) Fraïse.
- 9) Levier de l'accélérateur.
- 10) Filtre à air.
- 11) Manette de positionnement des mancherons.

## ΧΕΙΡΙΣΤΗΡΙΑ ΤΟΥ ΜΗΧΑΝΗΜΑΤΟΣ - ΕΙΚ. 2.

- 1) Μοχλός κίνησης προς τα εμπρός (RM μοχλός όπισθεν)
- 2) Πόμολο ρύθμισης τιμονιού.
- 3) Πείρος ρύθμισης σπιρουνιού.
- 4) Τάπα ρεζερβουάρ.
- 5) Λαβή εκκίνησης - Αυτόματη περιέλιξη.
- 6) Θέση εργασίας ροδίτσας.
- 7) Πείρος ρύθμισης ροδίτσας.
- 8) Φρέζα.
- 9) Μοχλός γκαζιού.
- 10) Φίλτρο αέρος
- 11) Μοχλός τοποθέτησης των χειρολαβών

## STEUEREINRICHTUNGEN DER MASCHINE - ABB. 2

- 1) Fahrthebel (RM Rückwärtsganghebel)
- 2) Lenkereinstellknäuf
- 3) Stift zum Einstellen des Sporns
- 4) Tankdeckel
- 5) Reversierstartergriff
- 6) Arbeitsstellung des Rades
- 7) Transportrad-Positionierstift
- 8) Fräs-/Hacksatz
- 9) Gashebel
- 10) Luftfilter
- 11) Lenkholm-Positionierungshebel

## MANDOS DE LA MAQUINA - FIG. 2

- 1) Palanca de avance (RM=MA de la palanca de la marcha atrás).
- 2) Pomo de regulación del manillar.
- 3) Perno de regulación del espolón.
- 4) Tapón del depósito.
- 5) Manilla de arranque.
- 6) Posición de trabajo
- 7) Perno de posicionamiento de la rueda (posición de traslación).
- 8) Fresadora.
- 9) Palanca del acelerador.
- 10) Filtro de aire.
- 11) Manilla colocación mancera.

## COMANDOS DA MÁQUINA - FIG. 2

- 1) Alavanca de avanço (RM - alavanca da marcha-atrás).
- 2) Manopla de regulação do guidador.
- 3) Pino de regulação da espora.
- 4) Tampa do reservatório.
- 5) Puxador de arranque do auto-enrolamento.
- 6) Posição de trabalho.
- 7) Pino de posicionamento da roda (posição de traslação).
- 8) Fresa.
- 9) Alavanca do acelerador.
- 10) Filtro de ar.
- 11) Manipulo de posicionamento da haste.

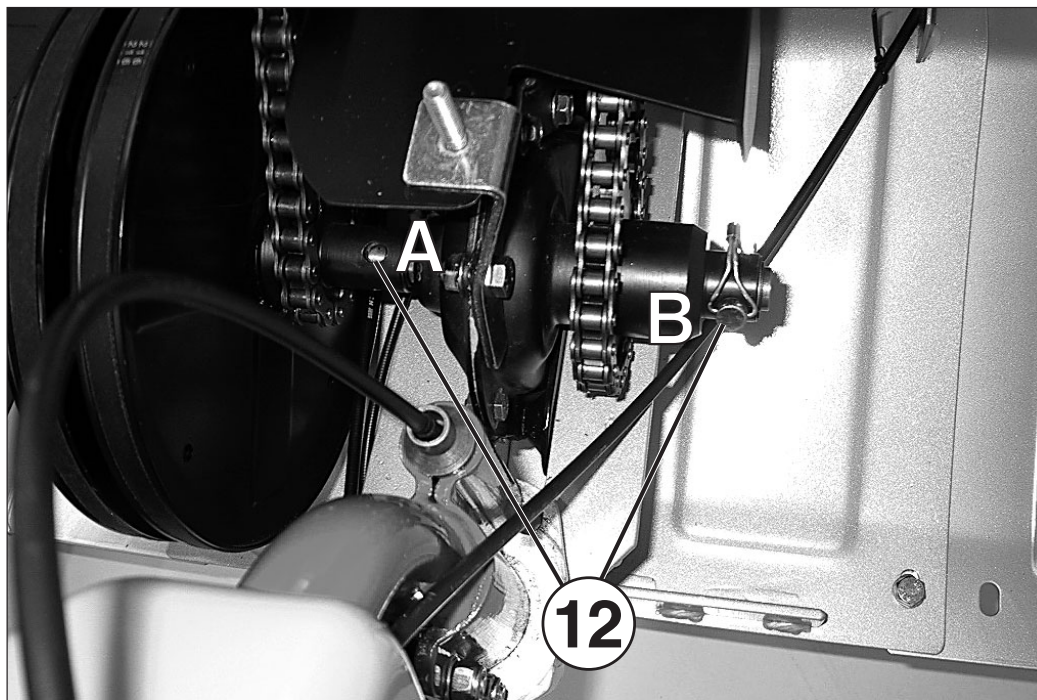


Fig. 3

**SPEED CHANGE PIN** (position B, slow travel for use of the machine with the plough, in the wheels fitted instead of the tiller). Position A, high speed travel for using the machine for normal tilling.

**WARNING:** the pin's position must only be changed with the engine off.

Unscrew the two knobs that secure the casing and remove it, then move the pin.

**WARNING:** never use the machine with wheels fitted with the pin in position A.

**PERNO CAMBIO VELOCITÀ** (pos. B Marcia lenta per l'utilizzo della macchina con l'aratro montando le ruote al posto della fresa). Pos. A marcia veloce per l'utilizzo della macchina per la fresatura.

**ATTENZIONE** il cambio di posizione del perno va eseguito a motore spento.

Svitare i due pomelli di fissaggio della carenatura e asportarla, cambiare poi la posizione del perno.

**ATTENZIONE** non utilizzare la macchina equipaggiata di ruote con il perno nella pos. A.

**PIVOT CHANGEMENT VITESSE** (pos. B marche lente pour l'utilisation de la machine avec la charrue en montant les roues à la place de la fraise). Pos. A marche rapide pour l'utilisation de la machine pour le fraisage.

**ATTENTION:** le changement de position du pivot doit être effectué lorsque le moteur est éteint.

Dévisser les deux pommeaux de fixation du carénage, enlever le carénage puis changer la position du pivot.

**ATTENTION:** ne pas utiliser la machine équipée de roues avec le pivot dans la pos. A.

**ZAPFEN FÜR GESCHWINDIGKEITSWECHSEL**

Pos. B Langsamer Gang zum Pflügen, mit Rädern an Stelle der Fräse. Pos. A Schneller Gang zum Fräsen.

**ACHTUNG!** Dieser Zapfen darf nur mit ausgeschaltetem Motor

umgesteckt werden. Die beiden Befestigungsknöpfe der Verkleidung ausschrauben und abnehmen, und dann den Zapfen in die gewünschte Position geben.

**ACHTUNG!** Ist die Maschine mit Rädern ausgestattet, darf der Zapfen nie in Pos. A liegen.

**PERNO CAMBIO VELOCIDAD** (Posición B: Marcha lenta, para el uso de la máquina con el arado, montando las ruedas en lugar de la binadora rotativa / Posición A: Marcha rápida, para el uso de la máquina para la binadura).

**ATENCIÓN:** El cambio de posición del perno se realiza con el motor apagado.

Desenroscar las dos perillas de fijación del carenado, remover este último y cambiar la posición del perno.

**ATENCIÓN:** No utilizar la máquina equipada con ruedas y con el perno en posición A.

**PERNO DE MUDANÇA DE VELOCIDADE** (pos. B - Andamento lento para utilização da máquina com charrua, montando as rodas no lugar da fresa). Pos. A - Andamento rápido para utilização da máquina para fresagem.

**ATENÇÃO!** A mudança de posição do perno tem de ser feita com o motor desligado.

Desaperte os dois botões de fixação da carenagem e tire-a. A seguir, mude a posição do perno.

**ATENÇÃO!** Nunca use a máquina equipada com rodas tendo o perno na pos. A!

**ΣΤΡΟΦΕΑΣ ΑΛΛΑΓΗΣ ΤΑΧΥΤΗΤΩΝ** (θέση Β Βραδυπορία για τη χρήση της μηχανής με το άροτρο φορώντας τους τροχούς στη θέση της φρέζας).

Θέση Α ταχεία πορεία για τη χρήση της μηχανής για το φρεζάρισμα. ΠΡΟΣΟΧΗ η αλλαγή θέσης του στροφέα πρέπει να εκτελείται με σβηστό το κινητήρα.

Ξεβιδώνετε τα δύο πόμολα στερέωσης του περιβλήματος και το αποσπάτε, στη συνέχεια αλλάζετε τη θέση του στροφέα.

ΠΡΟΣΟΧΗ μην χρησιμοποιείτε τη μηχανή εξοπλισμένη με τροχούς με τον στροφέα στη θέση Α.



- REMOVE THE BONNET ONLY WHEN THE ENGINE IS OFF. • TOGLIERE IL COFANO SOLO A MOTORE SPENTO.
- QUITTER LE CAPOT SEULMENT A MOTEUR ARRETE. • SCHUTZHAUBE NUR BEI AUSGESCHALTETEN MOTOR ABNEHMEN.
- QUITAR EL CAPOT SOLO SI EL MOTOR ESTA APAGADO. • NUNCA LEVANTAR CARENAGEM COM O MOTOR EM MOVIMENTO.
- ΑΦΑΙΡΕΙΤΕ ΤΟ ΚΑΠΟ ΜΟΝΟ ΜΕ ΤΟΝ ΚΙΝΗΤΗΡΑ ΣΒΗΣΤΟ.





Fig. 4

## PLOUGHING KIT

The ploughing kit (fig. 4) is only installed on model Princess III; to fit it, proceed as follows:

1. Remove the two tiller units by unscrewing the two screws that fix them to the tine shaft (fig.5).
2. Fit the wheel hubs on the tine shaft (fig. 6).
3. Remove the spur by removing the retainer (3, fig. 2).
4. Fit the plough (fig. 7).
5. Fit the ballasts on the wheels, securing them to the two screws in the wheel hub (fig. 8).
6. Fit the front ballast (fig. 9).

## KIT ARATURA

Il kit aratura (fig. 4) si applica solo sul modello Princess III, per il montaggio procedere come segue:

1. Togliere i due gruppi fresanti svitando le due viti di fissaggio all'albero zappe (fig. 5).
2. Montare i mozzi portaruota sull'albero zappe (fig. 6)
3. Smontare lo sperone togliendo il fermo (n° 3 fig. 2)
4. Montare l'aratro (fig. 7)
5. Montare le zavorre sulle ruote fissandole nelle due viti del mozzo ruota (fig. 8)
6. Montare la zavorra anteriore (fig. 9)

## KIT LABOUR

Le kit labour (fig. 4) s'applique uniquement sur le modèle Princess III; pour le montage procéder de la manière suivante:

1. Enlever les deux groupes de fraisage en dévissant les deux vis de fixation à l'arbre houes (fig. 5).
2. Monter les moyeux porte-roue sur l'arbre houes (fig. 6).
3. Démontez l'éperon en ôtant l'arrêt (n° 3 fig. 2).
4. Monter la charrue (fig. 7).
5. Monter les lests sur les roues en les fixant dans les deux vis du moyeu roue (fig. 8).
6. Monter le lest avant (fig. 9).

## ΣΕΤ ΟΡΓΩΜΑΤΟΣ

Το σετ οργώματος (εικ.4) εφαρμόζεται μόνο στο μοντέλο Princess III, για την τοποθέτηση προβαίνετε ως εξής:

1. Βγάξτε τα δύο πολλαπλά στοιχεία ξεβιδώνοντας τις δύο βίδες στερέωσης στον άξονα τσάπας (εικ.5).
2. Τοποθετείτε τα κέντρα συγκράτησης τροχών στον άξονα τσάπας (εικ.6)
3. Βγάξτε το σπιρούνι αφαιρώντας την αρπάγη (3 εικ.2)
4. Τοποθετείτε το άροτρο (εικ.7)
5. Τοποθετείτε τα βάρη έρματος στους τροχούς στερεώνοντάς τα στις δύο βίδες του κέντρου τροχού (εικ.8)
6. Τοποθετείτε το μπροστινό βάρος έρματος (εικ. 9)

## PFLUGAUSRÜSTUNG

Die Pflugausrüstung (Abb. 4) kann nur auf dem Modell Princess III montiert werden:

1. Die zwei Fräsgruppen abnehmen; dazu die beiden Befestigungsschrauben auf der Hackenwelle ausschrauben (Abb. 5).
2. Die Radnaben auf die Hackenwelle montieren (Abb. 6).
3. Den Sporn durch Herausnehmen der Haltevorrichtung (Pos. 3, Abb. 2) abnehmen.
4. Den Pflug montieren (Abb. 7).
5. Die Gewichte montieren; in den zwei Schrauben der Radnabe befestigen (Abb. 8).
6. Das vordere Gewicht montieren (Abb. 9).

## EQUIPO DE ARADURA

El equipo de aradura (fig. 4) sólo se aplica en el modelo PRINCESS III 2+1. Para montarlo proceder de la siguiente manera:

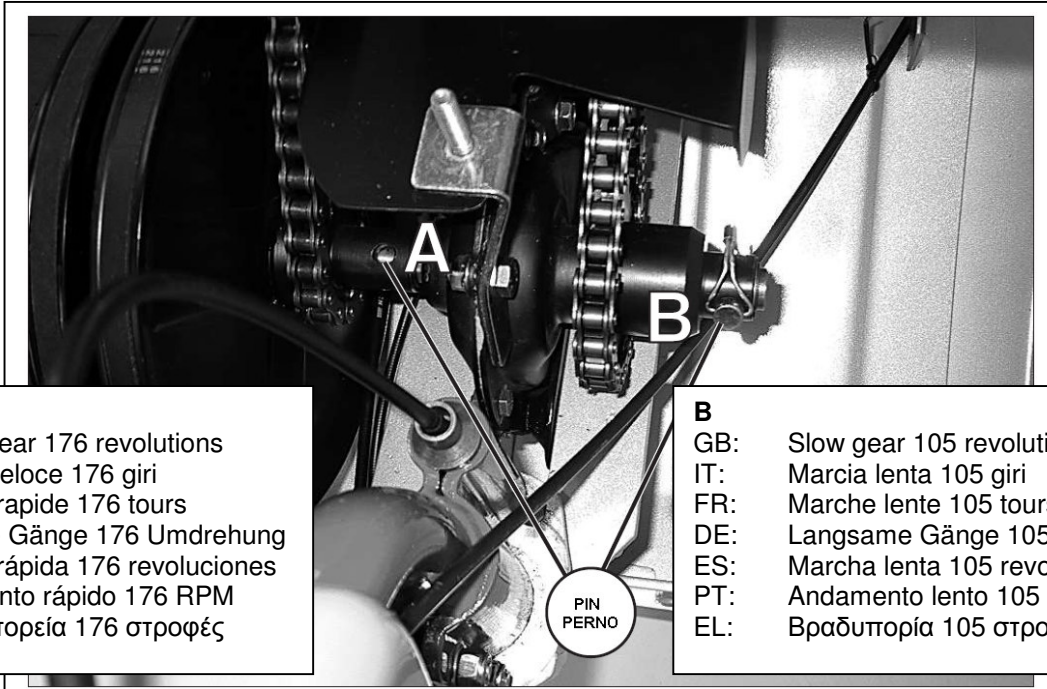
1. Extraer los dos grupos de binadura desenroscando los dos tornillos que los fijan al eje de las azadas (fig. 5).
2. Montar los cubos de las ruedas en el eje de las azadas (fig. 6).
3. Desmontar el contrafuerte quitando el retén (ref. 3 - fig. 2).
4. Montar el arado (fig. 7).
5. Montar los contrapesos en las ruedas, fijándolas en los dos tornillos del cubo de la rueda (fig. 8).
6. Montar el contrapeso delantero (fig. 9).

## KIT PARA ARAR

O kit para arar (fig. 4) só pode ser aplicado no modelo PRINCESS III 2+1. Para a montagem proceda do modo seguinte:

1. Desmonte os dois grupos de fresar, desapertando os dois parafusos que os estão a fixar ao veio das enxadas (fig. 5).
2. Monte os dois cubos porta-roda no veio das enxadas (fig. 6)
3. Desmonte a espora tirando o retentor (n° 3 fig. 2)
4. Monte a charrua (fig. 7).
5. Monte os lastros nas rodas fixando-os nos dois parafusos do cubo da roda (fig. 8).
6. Monte o lastro dianteiro (fig. 9).

## PRINCESS V3



### A

GB: Speed gear 176 revolutions  
IT: Marcia veloce 176 giri  
FR: Marche rapide 176 tours  
DE: Schnelle Gänge 176 Umdrehung  
ES: Marcha rápida 176 revoluciones  
PT: Andamento rápido 176 RPM  
EL: Ταχεία πορεία 176 στροφές

### B

GB: Slow gear 105 revolutions  
IT: Marcia lenta 105 giri  
FR: Marche lente 105 tours  
DE: Langsame Gänge 105 Umdrehung  
ES: Marcha lenta 105 revoluciones  
PT: Andamento lento 105 RPM  
EL: Βραδυπορία 105 στροφές

**GB: Speed change pin.** Position B: gear used if the machine has to operate with the rotary tiller on a hard soil. Position A: gear used if the machine has to operate with the rotary tiller on loose soil.

**WARNING:** the pin's position must only be changed with the engine off.

Unscrew the two knobs that secure the casing and remove it, then move the pin.

**IT: Perno cambio velocità.** Pos. B: marcia per l'utilizzo della macchina per la fresatura su terreno duro. Pos. A: marcia per l'utilizzo della macchina per la fresatura su terreno morbido.

**ATTENZIONE:** il cambio di posizione del perno va eseguito a motore spento.

Svitare i due pomelli di fissaggio della carenatura e asportarla, cambiare poi la posizione del perno.

**FR: Pivot changement vitesse.** Pos. B : marche pour l'utilisation de la machine pour fraiser les terrains durs. Pos. A : marche pour l'utilisation de la machine pour fraiser les terrains souples.

**ATTENTION :** le changement de position du pivot doit être effectué lorsque le moteur est éteint.

Dévisser les deux pommeaux de fixation du carénage, enlever le carénage, ensuite changer la position du pivot.

**DE: Zapfen für Geschwindigkeitswechsel.** Pos. B: Gang zum Fräsen auf harten Boden. Pos. A: Gang zum Fräsen auf lockeren Boden. **ACHTUNG!** Dieser Zapfen darf nur mit ausgeschaltetem Motor umgesteckt werden. Die beiden Befestigungsköpfe

der Verkleidung ausschrauben und abnehmen, und dann den Zapfen in die gewünschte Position geben.

**ES: Perno cambio velocidad.** Pos. B.: velocidad de utilización de la máquina para el fresado de terrenos duros. Pos A.: velocidad de utilización de la máquina para el fresado de terrenos blandos.

**ATENCIÓN:** El cambio de posición del perno se realiza con el motor apagado.

Desenroscar las dos perlas de fijación del carenado, removerlo y cambiar la posición del perno.

**PT: Perno de mudança de velocidade.** Pos. B.: velocidade de utilização da máquina para fresagem no terreno duro. Pos. A.: velocidade de utilização da máquina para fresagem no terreno suelto.

**ATENÇÃO:** A mudança de posição do perno tem de ser feita com o motor desligado.

Desaperte os dois botões de fixação da carenagem e tire-a. A seguir, mude a posição do perno.

**EL: ΣΤΡΟΦΕΑΣ ΑΛΛΑΓΗΣ ΤΑΧΥΤΗΤΩ.** Θέση B.: Βραδυπορία για τη χρήση της μηχανής αν το έδαφος είναι σκληρό. Θέση A.: Ταχεία πορεία για τη χρήση της μηχανής αν το έδαφος είναι μαλακό.

**ΠΡΟΣΧΗ** η αλλαγή Θέσης του στροφέα πρέπει να εκτελείται με σβηστό τον κινητήρα.

Ξβιδώνετε τα δύο πόμολα στερέωσης του περιβλήματος και το αποσπάτε στη συνέχεια αλλάζετε τη θέση του στροφέα.

## CAUTION

· REMOVE THE BONNET ONLY WHEN THE ENGINE IS OFF · TOGLIERE IL COFANO SOLO A MOTORE SPENTO  
· QUITTER LE CAPOT SEULEMENT A MOTEUR ARRETE · SCHUTZHAUBE NUR BEI AUSGESCHALTETEN  
MOTOR ABNEHMEN · QUITAR EL CAPOT SOLO SI EL MOTOR ESTA APAGADO · NUNCA LEVANTAR  
CARENAGEM COM O MOTOR EM MOVIMENTO · ΑΦΑΙΡΕΙΤΕ ΤΟ ΚΑΠΟ ΜΟΝΟ ΜΕ ΤΟΝ ΚΙΝΗΤΗΡΑ ΣΒΗΣΤΟ.

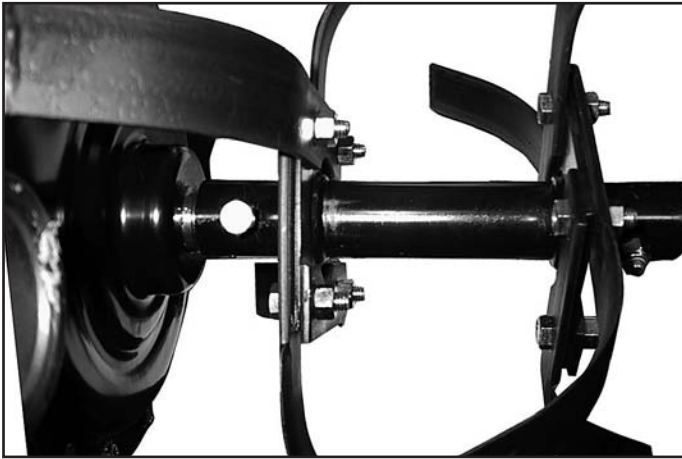


Fig. 5



Fig. 8

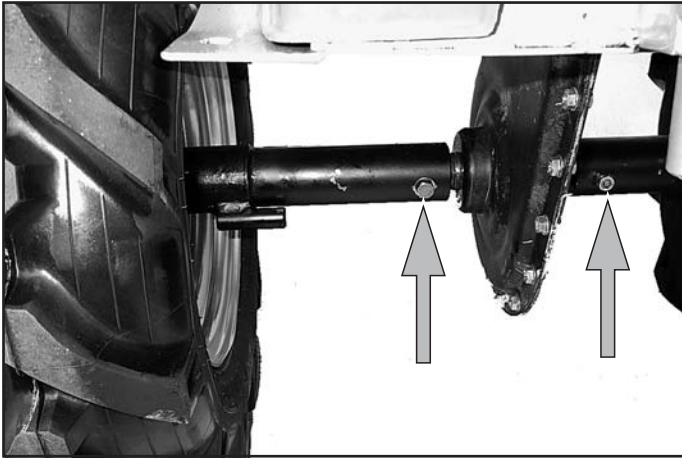


Fig. 6

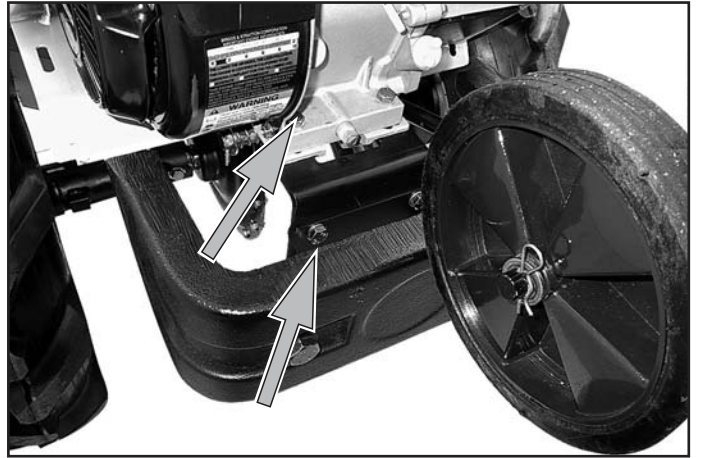


Fig. 9

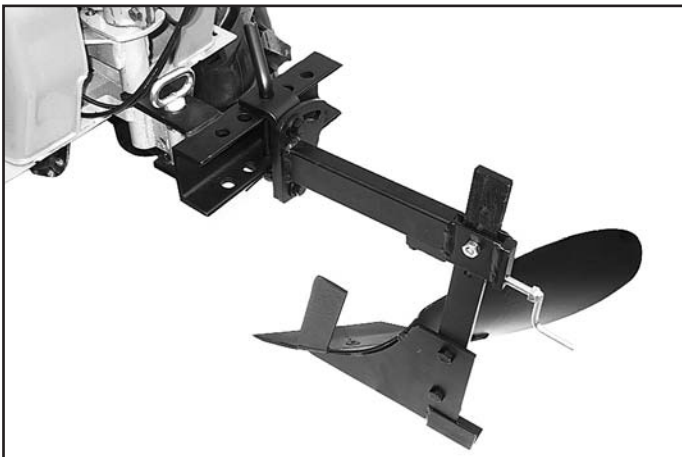


Fig. 7



**NOISE LEVEL**

Engine speed rpm	Equivalent acoustic pressure level dBA
3600	88,7

**VIBRATION LEVELS**

Engine speed rpm	Vibrations m/s <sup>2</sup>
3060	awz 0,1 / awx 0,09 / awy 0,05

**MACHINE STABILITY**

Limit value of the machines's tipping angle in static conditions 25°.

**RUMOROSITÀ**

Regime di rotazione del motore giri/min.	Livello equivalente di pressione acustica dBA
3600	88,7

**RILIEVO DEI LIVELLI DI VIBRAZIONE**

Regime di rotazione del motore giri/min.	Vibrazioni m/s <sup>2</sup>
3060	awz 0,1 / awx 0,09 / awy 0,05

**STABILITÀ DELLA MACCHINA**

Valore limite dell'angolo di ribaltamento della macchina in condizioni statica 25°.

**NIVEAU DE BRUIT**

Régime de rotation du moteur tours/min.	Niveau équivalent de pression sonore dBA
3600	88,7

**RELEVÉ DES NIVEAUX DE VIBRATION**

Régime de rotation du moteur tours/min.	Vibration m/s <sup>2</sup>
3060	awz 0,1 / awx 0,09 / awy 0,05

**STABILITE DE LA MACHINE**

Valeur-limite de l'angle de basculement de la machine dans des conditions statiques 25°.

**GERÄUSCHEMISSION**

Motordrehzahl in UpM	Entspr. Schalldruckwert in dBA
3600	88,7

**VIBRATION LEVELS**

Motordrehzahl in UpM	Vibrationen m/s <sup>2</sup>
3060	awz 0,1 / awx 0,09 / awy 0,05

**HANGTAUGLICHKEIT DER MASCHINE**

Grenzwert des Kippwinkels der Maschine bei statischen Bedingungen 25°.

**NÍVEL DE RUÍDO**

Regime de rotação do motor rotações/min.	Nível de pressão acústica equivalente dBA
3600	88,7

**DETERMINAÇÃO DOS NÍVES DE VIBRAÇÃO**

Regime de rotação do motor rotações/min.	Vibrações m/s <sup>2</sup>
3060	awz 0,1 / awx 0,09 / awy 0,05

**ESTABILIDADE DA MÁQUINA**

Valor limite do ângulo de capotagem da máquina em condições estáticas 25°.

**ΜΕΤΡΗΣΗ ΤΟΥ ΕΠΙΠΕΔΟΥ ΘΟΡΥΒΟΥ**

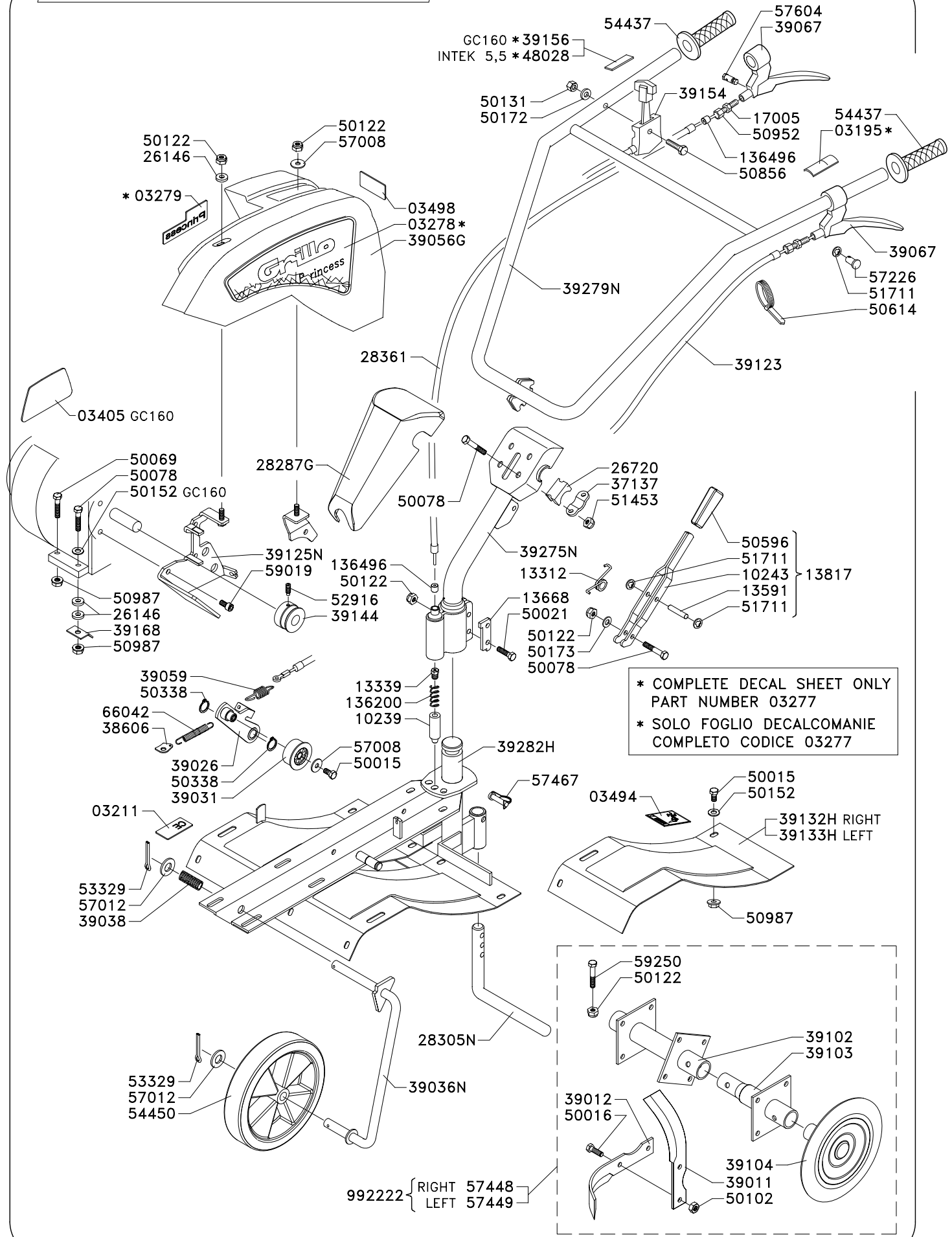
Ταχύτητα περιστροφής του κινητήρα:	Ισοδύναμο επίπεδο ακουστικής πίεσης στη θέση του οδηγού dBA
3600	88,7

**ΜΕΤΡΗΣΗ ΕΠΙΠΕΔΟΥ ΚΡΑΔΑΣΜΩΝ**

Ταχύτητα περιστροφής του κινητήρα:	m/s <sup>2</sup>
3060	awz 0,1 / awx 0,09 / awy 0,05

Σταθερότητα του μηχανήματος Οριακή τιμή της γωνίας ανατροπής του μηχανήματος σε στατική κατάσταση με άδειο κάδο φόρτωσης 25°.

*Princessmono* NEW

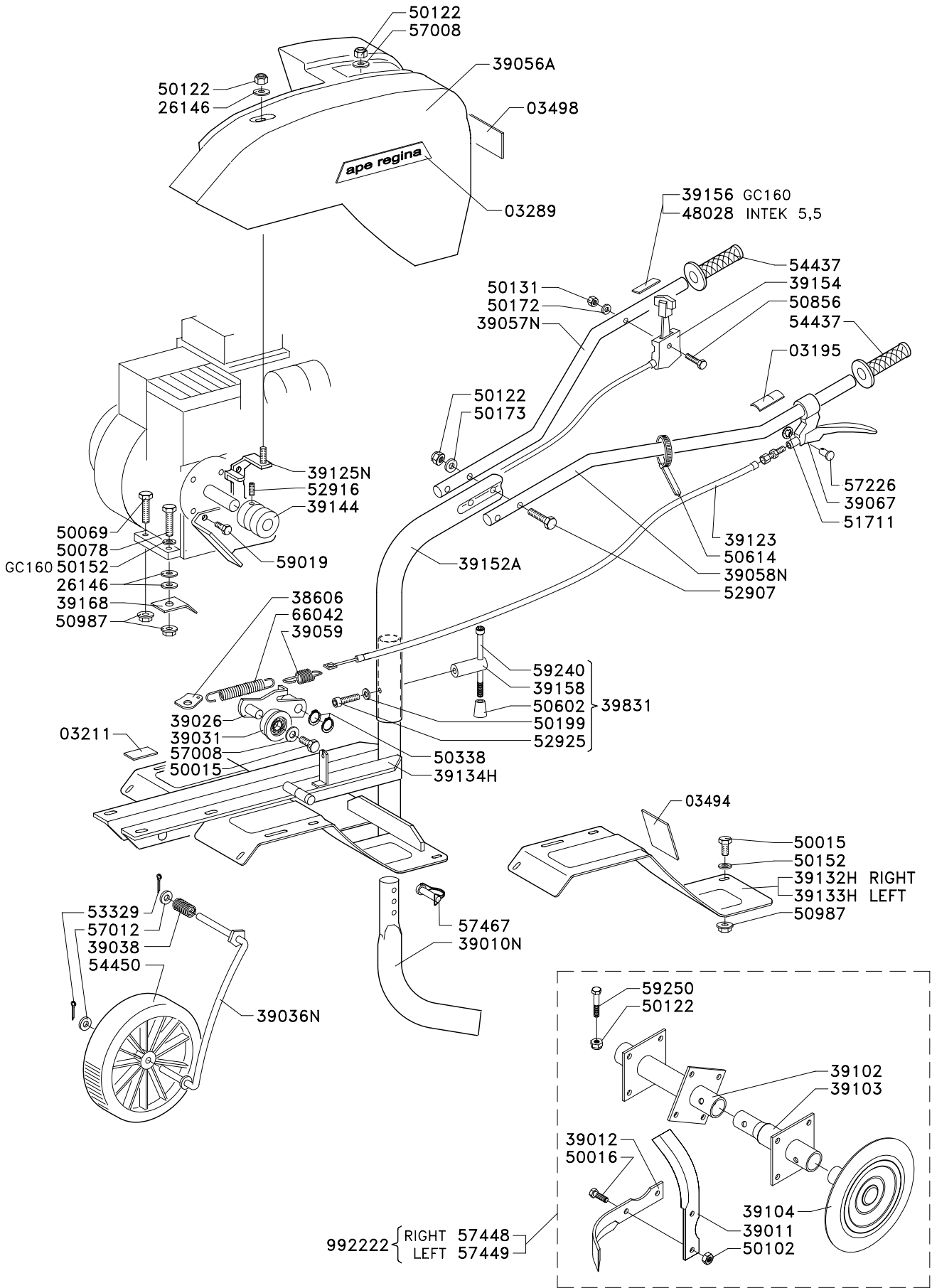


\* COMPLETE DECAL SHEET ONLY  
PART NUMBER 03277  
\* SOLO FOGLIO DECALCOMANIE  
COMPLETO CODICE 03277

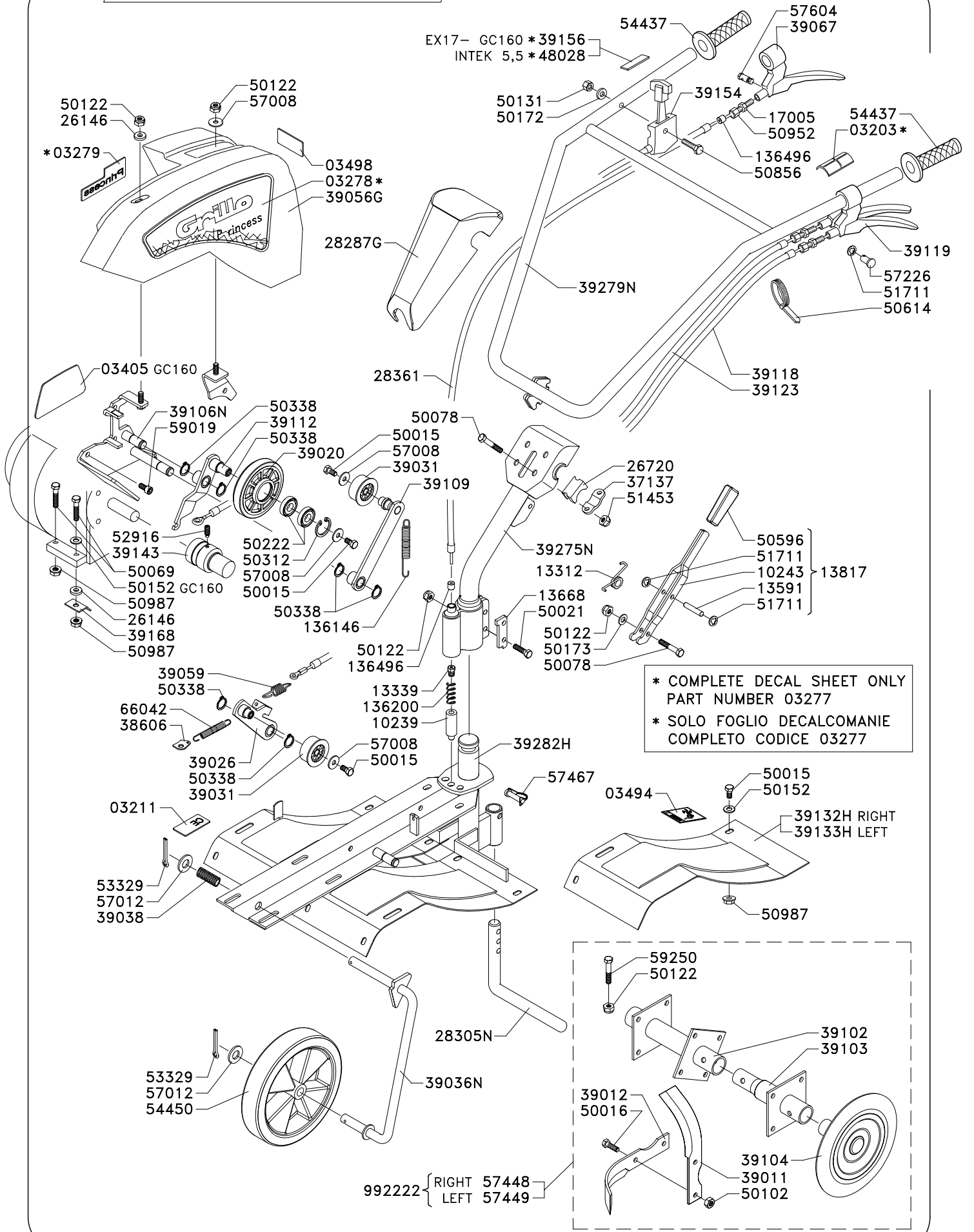
992222 { RIGHT 57448  
LEFT 57449



*Princessmono ape*

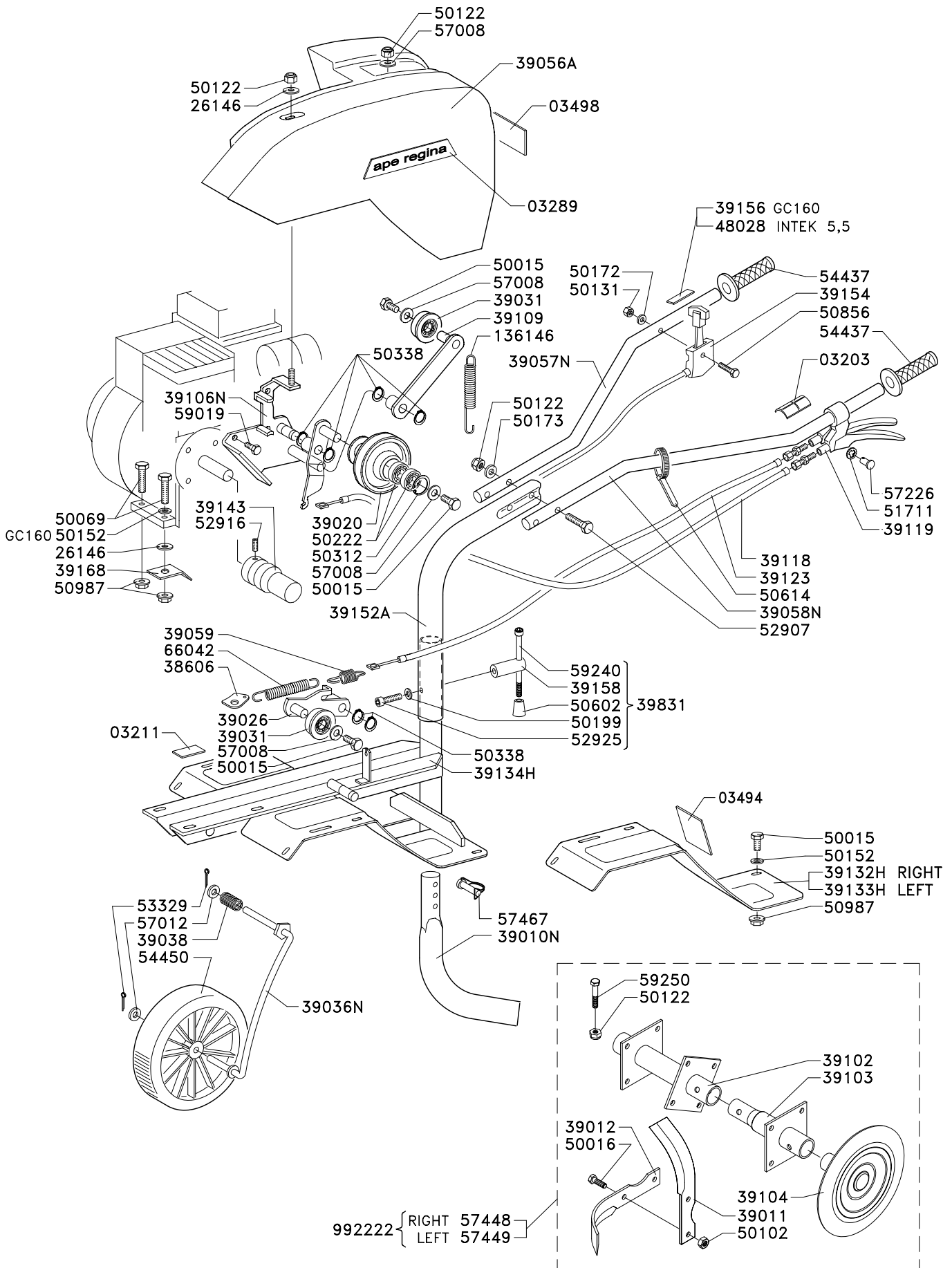


*Princess 1+1 NEW*

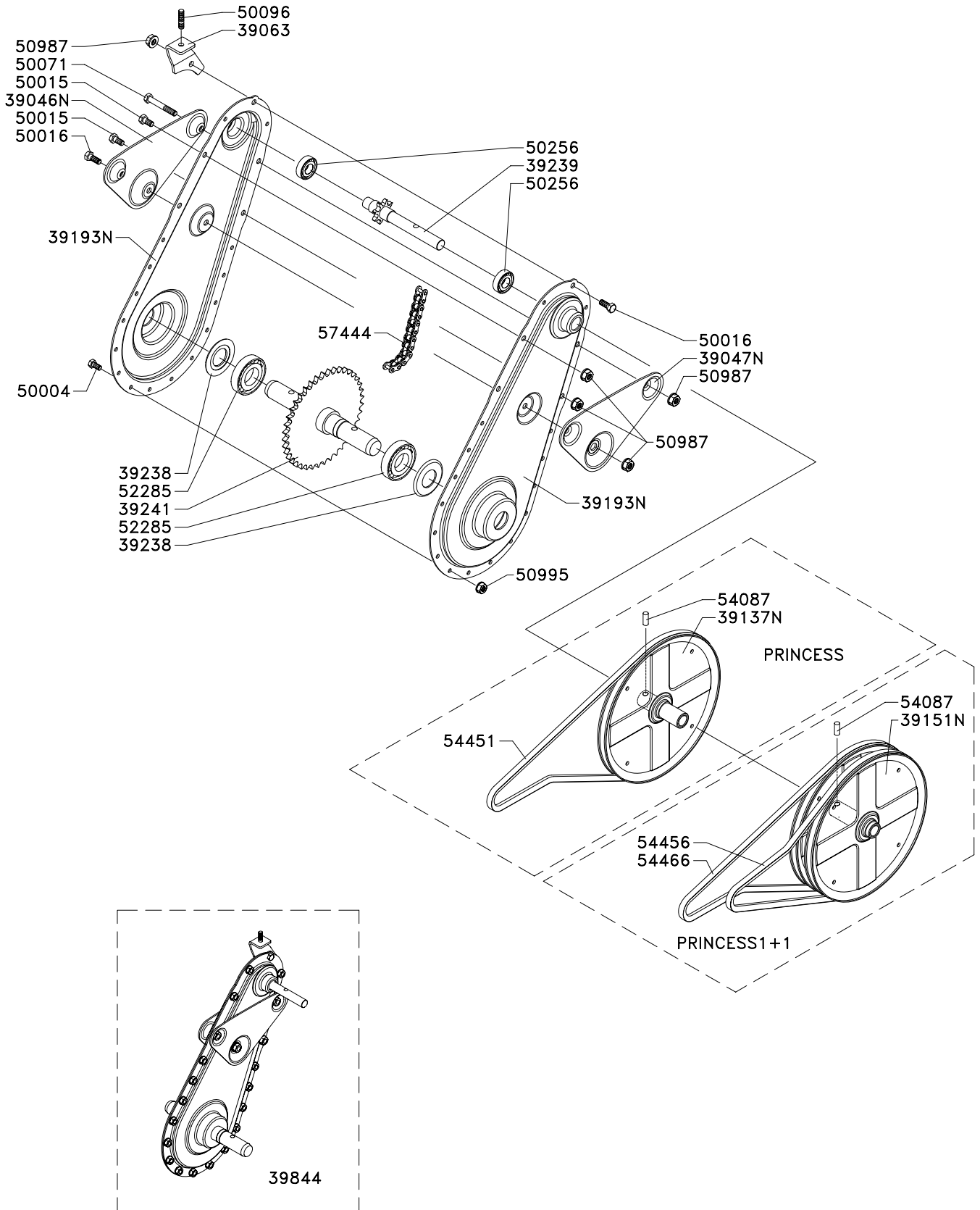


\* COMPLETE DECAL SHEET ONLY  
 PART NUMBER 03277  
 \* SOLO FOGLIO DECALCOMANIE  
 COMPLETO CODICE 03277

### Princess 1+1 ape

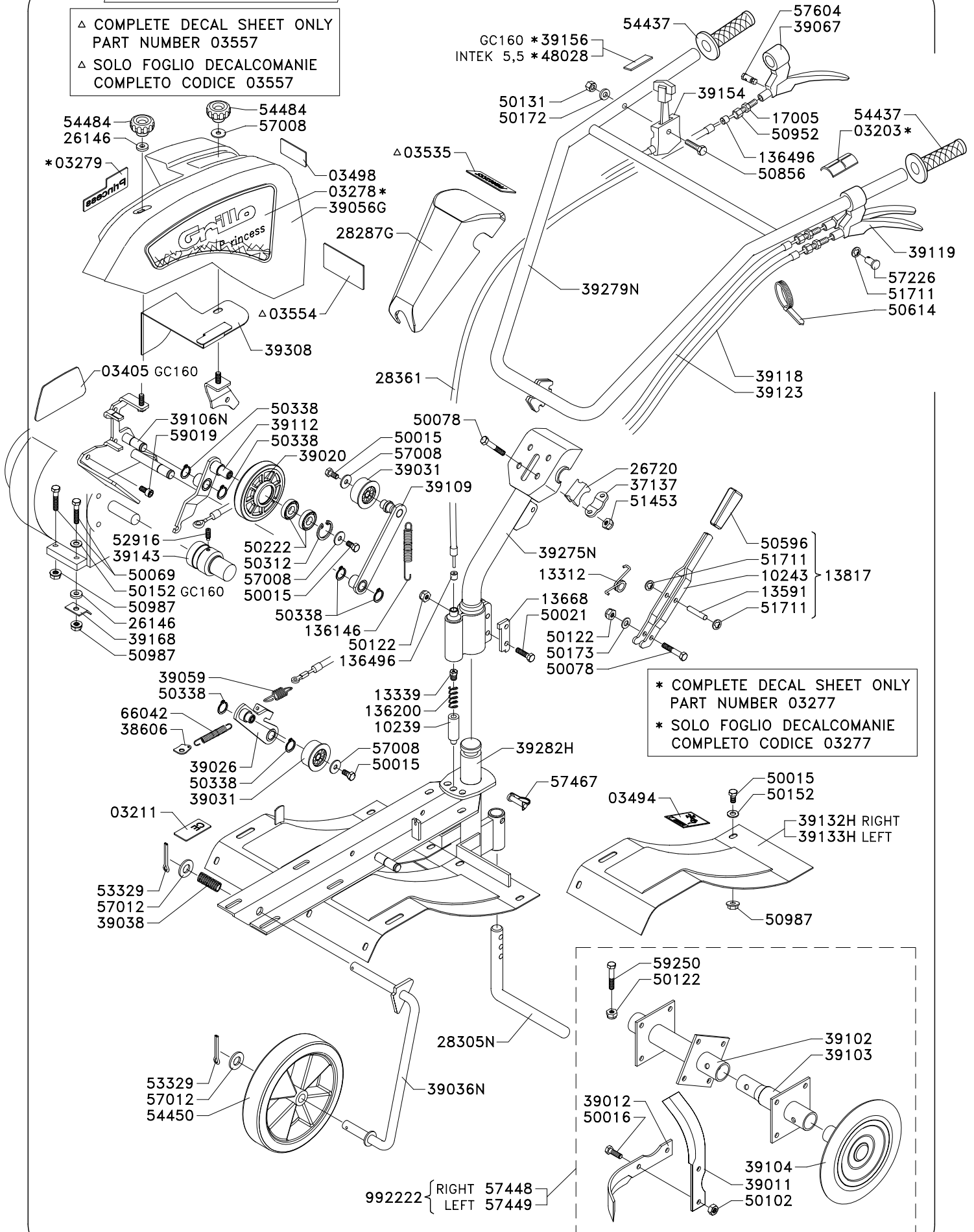


*Princessmono / 1+1*



## Princess III

△ COMPLETE DECAL SHEET ONLY  
 PART NUMBER 03557  
 △ SOLO FOGLIO DECALCOMANIE  
 COMPLETO CODICE 03557

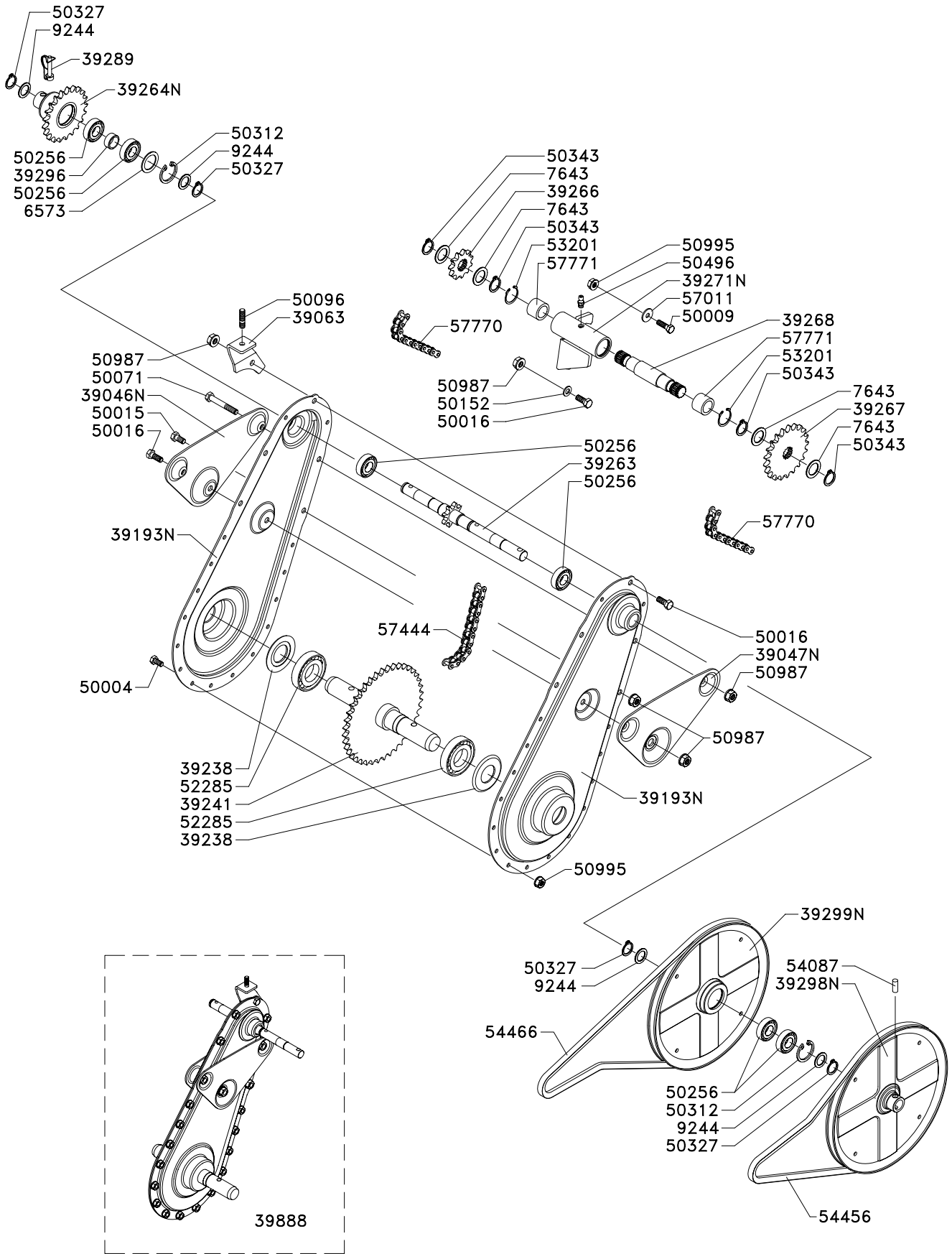


\* COMPLETE DECAL SHEET ONLY  
 PART NUMBER 03277  
 \* SOLO FOGLIO DECALCOMANIE  
 COMPLETO CODICE 03277

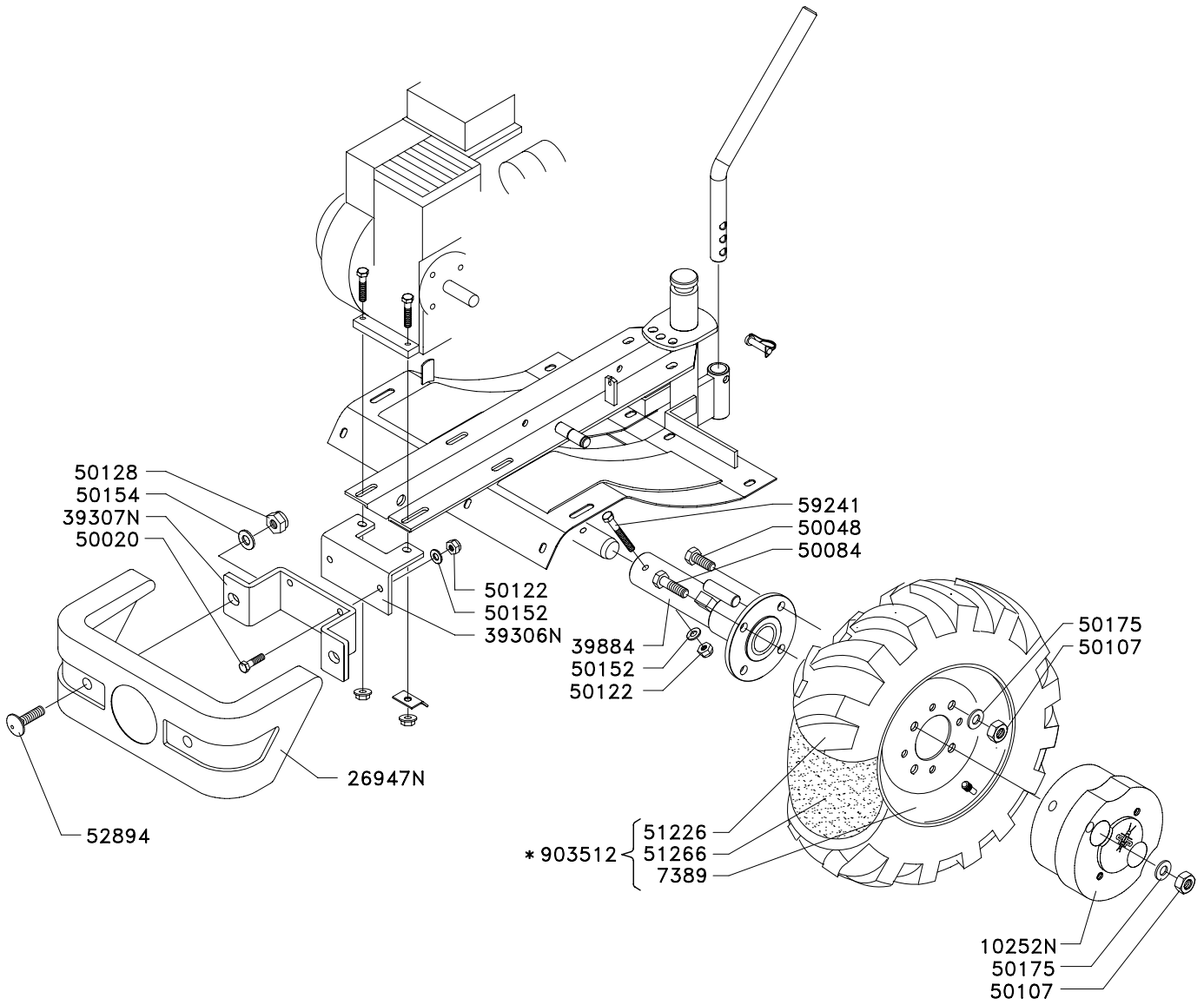
992222 { RIGHT 57448  
 LEFT 57449



*Princess III*



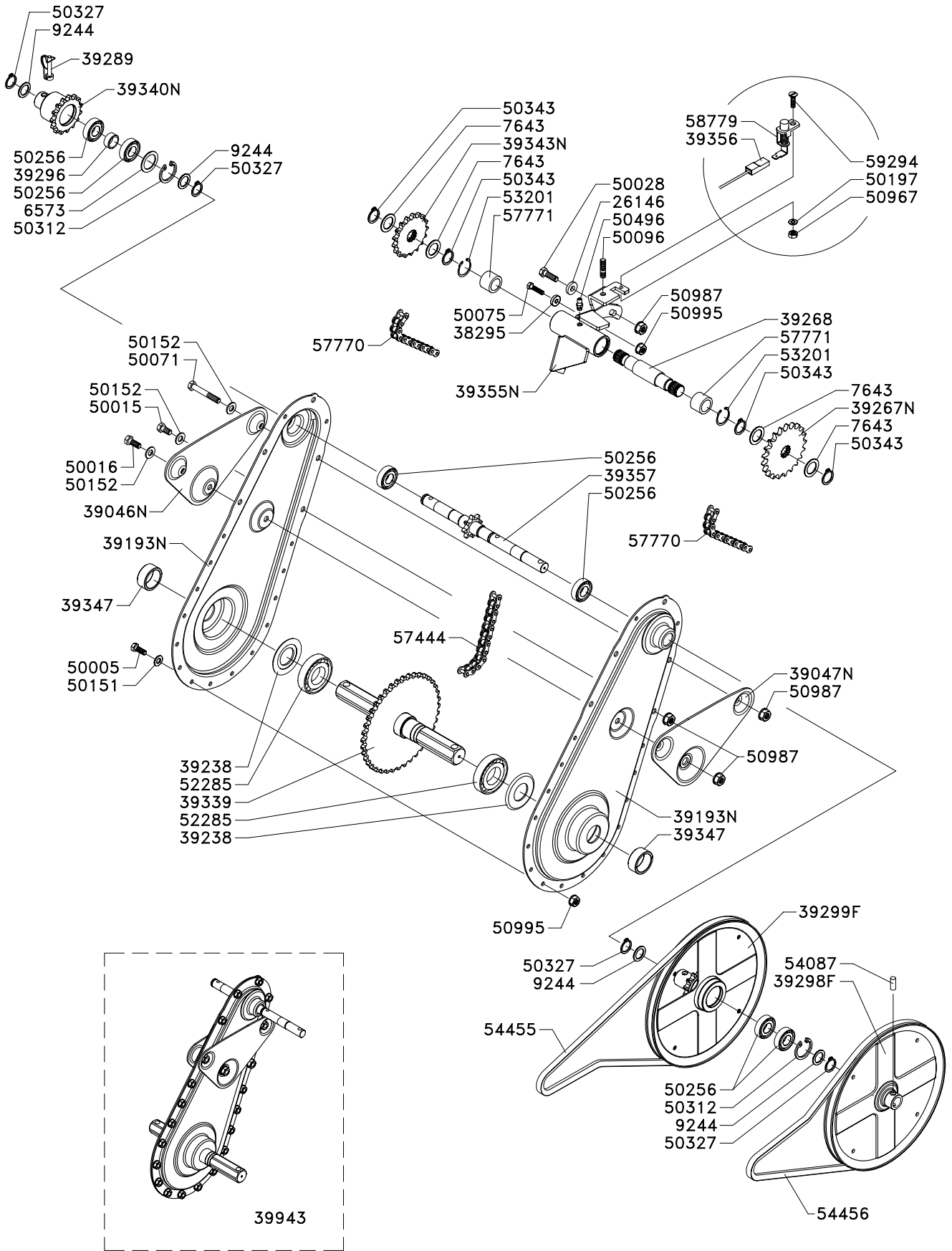
Princess III



\* PN.WHEELS PAIR  
CODE 903512

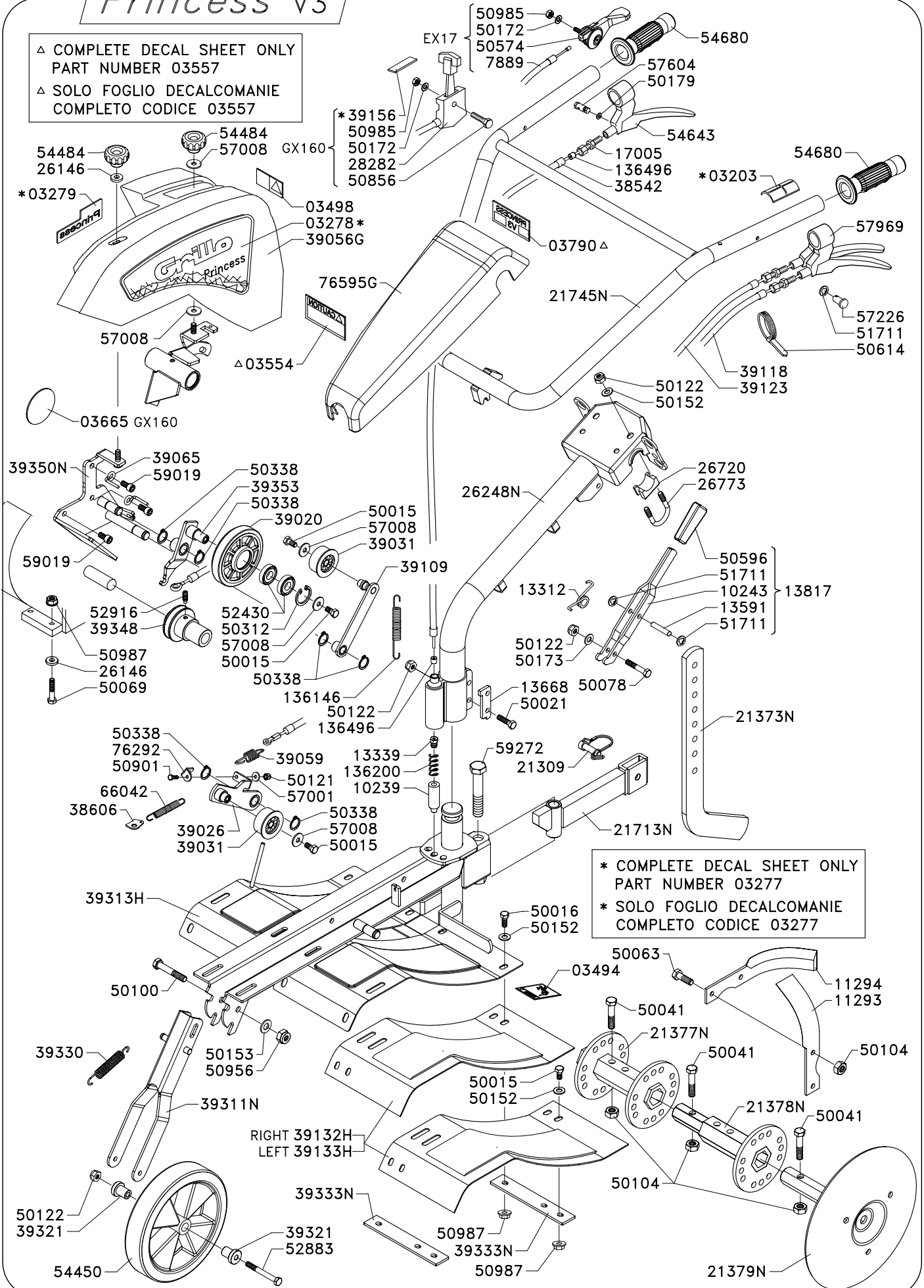
\* COPPIA RUOTE GOMMA  
CODICE 903512

Princess v3



## Princess v3

△ COMPLETE DECAL SHEET ONLY  
PART NUMBER 03557  
△ SOLO FOGLIO DECALCOMANIE  
COMPLETO CODICE 03557



\* COMPLETE DECAL SHEET ONLY  
PART NUMBER 03277  
\* SOLO FOGLIO DECALCOMANIE  
COMPLETO CODICE 03277



47023 CESENA (ITALY) - Via Cervese 1701  
Tel. 0547/633111 (centralino) - Fax 0547/384222 - 0547/632011  
Internet: [www.grillospa.it](http://www.grillospa.it) - E-mail: [grillo@grillospa.it](mailto:grillo@grillospa.it)